

서 면 심 사

AIR RECEIVER TANK

MODEL : JIN-200-V-2

진 우 기 계

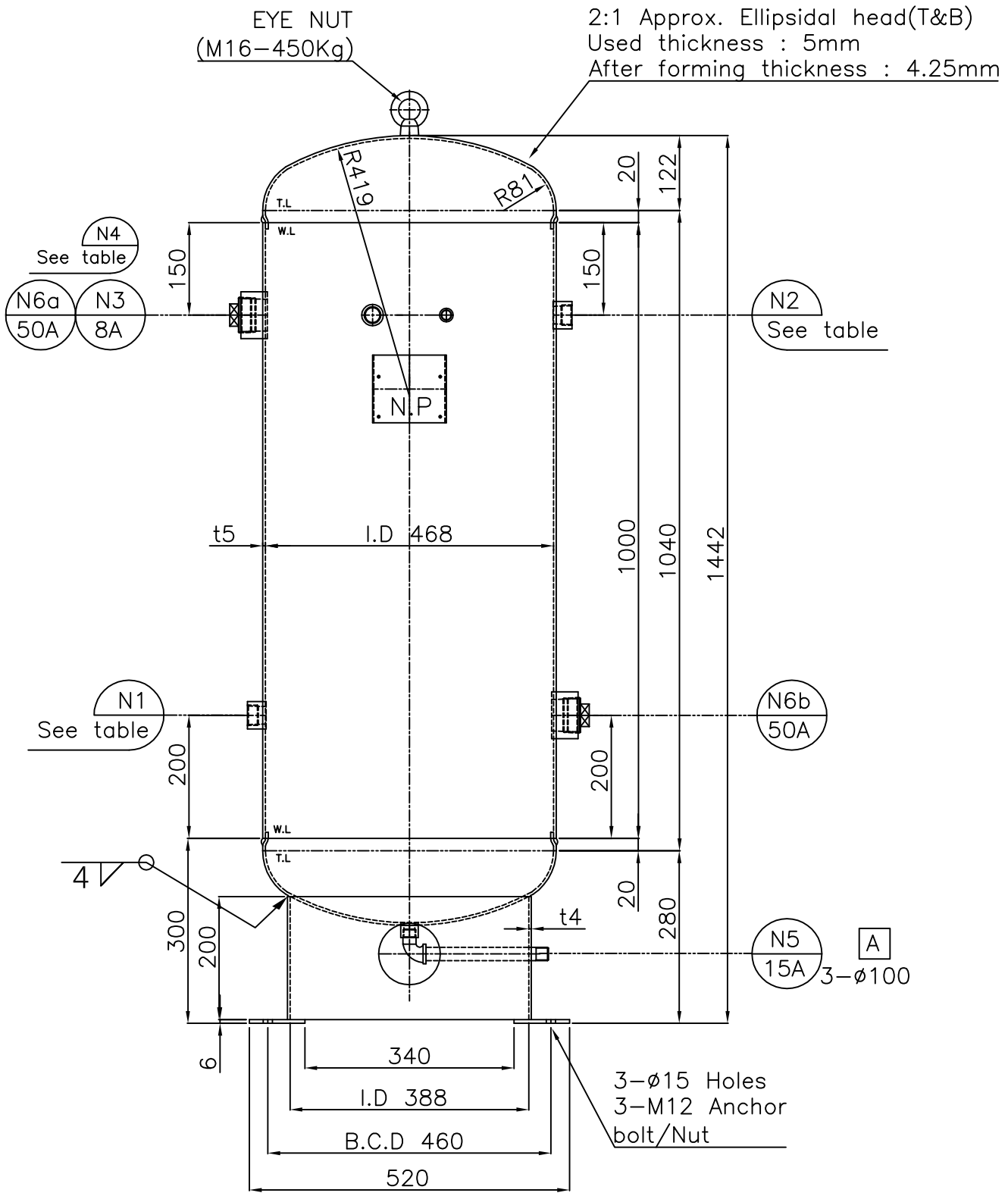
경기도 포천시 가산면 마전리 429-13
전화:031-542-1797 전송:031-542-1796

CONTENT

1. LAYOUT & DIMENSION
2. DESIGN CONDITION
3. VOLUME CALCULATION
4. WELDING PROCEDURE
5. PROTECTION EQUIPMENT
6. STRENGTH CALCULATION
7. DRAWING

| | | | |
|----------|-------------|------------|-------------------|
| ITEM NO. | JIN-200-V-2 | DWG. TITLE | AIR RECEIVER TANK |
|----------|-------------|------------|-------------------|

1. LAYOUT & DIM.



ELEVATION

TABLE

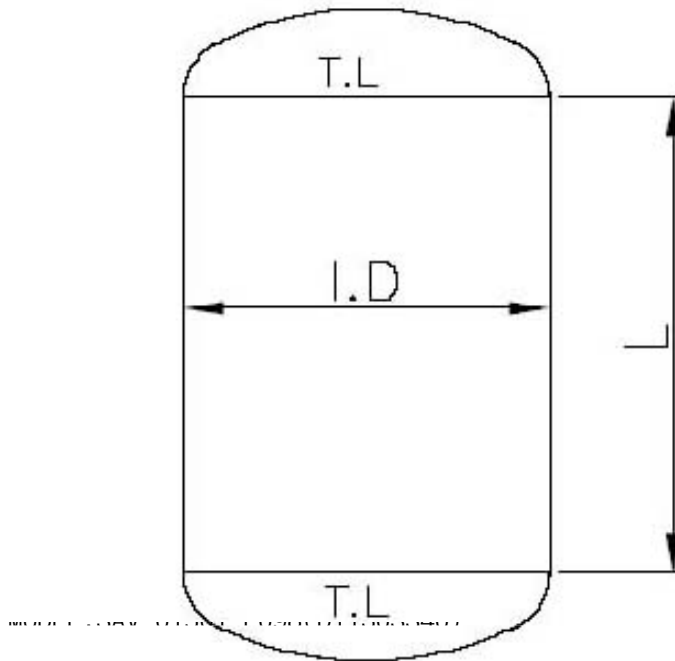
| | | | | | | | | | |
|-------|----|-----|-----|-----|-----|-----|-----|-----|--------------|
| N1/N2 | 8A | 10A | 15A | 20A | 25A | 32A | 40A | 50A | INLET/OUTLET |
| N4 | 8A | 8A | 8A | 15A | 15A | 20A | 20A | 32A | P.S.V |

2. DESIGN (TOWER & VESSEL) CONDITION

ITEM NO : JIN-200-V-2

| ITEM | | | | DESCRIPTION | | | |
|------|------------------------------|-----------------------------------|------|-------------------|-------------|---------------------------|--------------------------|
| 1 | VOLUME | | | 0.2 | | m ³ | |
| 2 | FLUID NAME | | | AIR | | | |
| 3 | DESIGN | PRESSURE | | P = | 9.99 / 0.98 | kgf/cm ² / MPa | |
| | | TEMPERATURE | | T = | 75.0 | °C | |
| 4 | OPERATING | PRESSURE | | P = | 8.97 / 0.88 | kgf/cm ² / MPa | |
| | | TEMPERATURE | | T = | 40.0 | °C | |
| 5 | SHELL INSIDED DIAMETER | | | Di = | 468.0 | mm | |
| 6 | SHELL W.L to W.L | | | WL = | 1000.0 | mm | |
| 7 | SHELL T.L to T.L | | | TL = | 1040.0 | mm | |
| 8 | SHELL THICKNESS | | 3.9 | ts = | 5.0 | mm | |
| 9 | HEAD THICKNESS | 4.25 | 3.36 | th = | 5.0 | mm | |
| 6 | CORROSION ALLOWANCE | | | α = | 1.0 | mm | |
| 7 | RADIOGRAPH EXAM. (X-RAY) | | | NO | | | |
| 8 | JOINE FFICIENCY | SHELL-SEAM(CIRCUMFERENTAL STRESS) | | E = | 70 | % | |
| | | SHELL-SEAM(LONGITUDINAL STRESS) | | E = | 65 | % | |
| | | HEAD-SEAM(CIRCUMFERENTAL STRESS) | | E = | 85 | % | |
| 9 | STRESS RELEIF HEAT TREATMENT | | | HEAD ONLY | | | |
| 10 | MATERIAL | SHELL/HEAD | | SS275 | | / | SS275 |
| | | SUPPORT | | SS275 | | | |
| | | AHCHOR BOLT | | SS275 | | | |
| 11 | ALLOWABLE STRESS | SHELL/HEAD | | 114.0 | / | 114.0 | N/mm ² |
| | | SUPPORT | | 114.0 | | | N/mm ² |
| | | AHCHOR BOLT | | 61.0 | | | N/mm ² |
| 12 | HYDO. TEST PRESS | | | 12.95 | / | 1.27 | kgf/cm ² /MPa |
| 13 | WEIGHT | ERECTION | | 80 | / | 784 | kgf / N |
| | | OPERATION | | 80 | / | 784 | kgf / N |
| | | FULL WATER | | 280 | / | 2744 | kgf / N |
| 14 | ERECTION PLACE | | | INDOOR / OUT DOOR | | | |

3. VOLUME CALCULATION



ID : 0.468 m
L : 1.040 m

3.1 SHELL SIDE(T.L FROM T.L)

$$V_s = \pi / 4 \times ID^2 \times L$$

$$= \pi / 4 \times 0.468^2 \times 1.04 = 0.179 \text{ m}^3$$

3.2 HEAD SIDE (ELLIPSOIDAL HEAD)

$$V_h = 0.13381 \times ID^3 \times 2$$

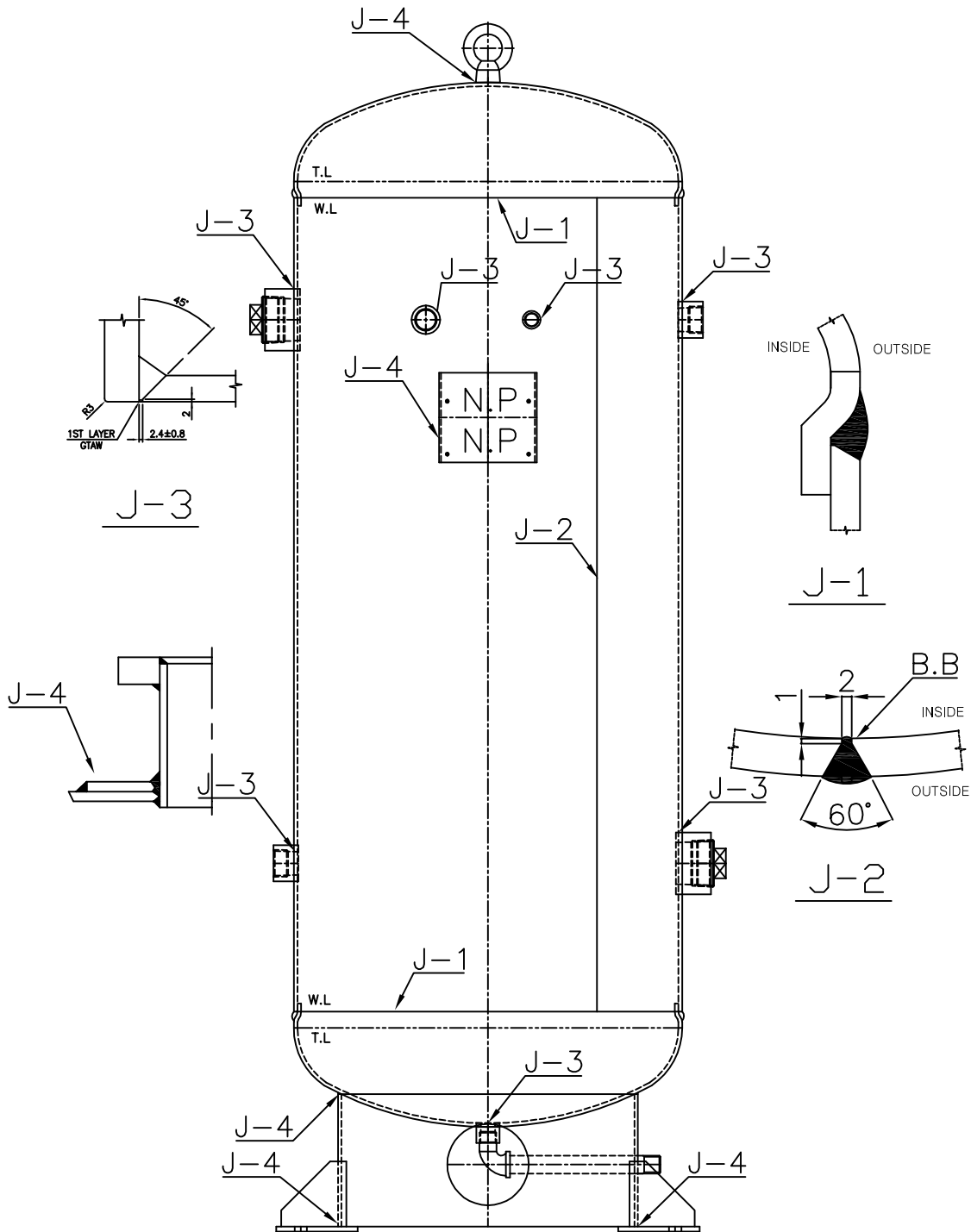
$$= 0.13381 \times 0.468^3 \times 2 = 0.027 \text{ m}^3$$

3.3 TOTAL VOLUE

$$V = V_s + V_h = 0.179 + 0.027 = 0.206 \text{ m}^3$$

4. WELDING PROCEDURE

4-1. WELDING MAP



| JOINT NO | PROCESS | W.P.S | W/D MAT'L CLASS | REMARKS |
|-------------|---------|------------|-----------------|-------------|
| J-1,2 | FCAW | JW-WFC-01 | E71T-1C | |
| | GTAW | JW-WGT-01 | ER70S-6 | |
| J-3,4 | FCAW | JW-WFC-01 | E71T-1C | |
| | GTAW | JW-WGT-01 | ER70S-6 | |
| PREPARED BY | | CHECKED BY | | APPROVED BY |

Company Name(제조사 명) : 진우기계
 Welding Procedure Specification No.(사양서 번호) : JW-WGT-001 Date(일자) : 2015.01.20 Revision No.(개정번호) : 0
 Supporting PQR No.(s) (관련 용접절차검증서 번호) : JW-WGT-PQ-001
 Welding Process(es)(용접방법) : GTAW
 Type(Manual, Automatic, Semi-Auto.)(용접형태) : Manual

| JOINTS(QW-402) (용접이음) | JOINT DETAILS (용접이음상세) |
|---|--|
| Type of joint(용접방법) : Groove and Fillet Backing(백킹) : <input checked="" type="checkbox"/> Yes : For Fillet and double-welded groove <input checked="" type="checkbox"/> No : For single groove Backing Material (Type) (백킹재질, 형태) <input checked="" type="checkbox"/> Metal <input type="checkbox"/> Nonfusing Metal <input type="checkbox"/> Nonmetallic <input type="checkbox"/> Other Retainers(리테이너) : None | See the applicable shop drawings and welding map. (해당 도면 및 용접 맵 참조할 것.) |

BASE METAL(QW-403) (모재)
 P-No. 1 Group No. ALL to P-No. 1 Group No. ALL
 or
 Specification and type / grade or UNS number. None
 to Specification type / grade or UNS number. None
 or
 Chem. Analysis and Mech. Prop. None
 to Chem. Analysis and Mech. Prop. None

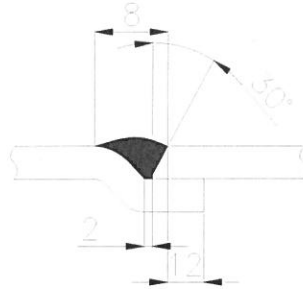
 Qualified Thickness Range(모재두께범위)
 Base Metal : Groove : 1.5~18.0mm Fillet : Unlimited

 Other : None

| FILLER METALS (QW-404) (용가재) | | GTAW | |
|---|--------|---|--|
| Spec. No. (SFA) | | 5.18 | |
| AWS No.(Class) | | ER70S-6 | |
| F-No. | | 6 | |
| A-No. | | ER70S-6 | |
| Size of Filler Metals(용가재 크기) | | φ 2.4mm and φ 3.2mm | |
| Filler Metal Product Form(용가재 형태) | | Bare(Solid) | |
| Filler ±(Delet. / Add.)(용가재 삭제/추가) | | ER70S-6 | |
| Weld Metal Thickness Range (용착금속 두께범위) | Groove | Max. 18.0mm | |
| | Fillet | Unlimited | |
| Flux Added(추가 플럭스) | | <input type="checkbox"/> Yes / <input checked="" type="checkbox"/> No | |
| Flux Trade Name (플럭스 상품명) | | N/A | |
| Consumable Insert(소모성 인서트) | | None | |
| Others(기타) | | None | |

Company Name(제조사 명) : 진우기계
 Procedure Qualification Record No.(용접절차 검증서 번호) : JW-WGT-PQ-001 Date(일자) : 2015.01.20
 WPS No.(용접사양서 번호) : JW-WGT-001(Rev.0)
 Welding Process(es)(용접방법) : GTAW
 Type(Manual, Automatic, Semi-Auto.)(용접형태) : Manual

JOINTS(QW-402) (용접이음)



Groove Angle : 45°, Root Opening : 2.0mm, Root Face : 1mm, T(Thickness) : 9.0mm

BASE METAL(QW-403) (모재)

Material Spec(모재사양) : _____ to _____
 Type or Grade (형태 혹은 등급) : _____ to _____
 P-No. 1 Gr-No. 2 to P-No. 1 Gr-No. 2
 Thickness of Test Coupon(시험재 두께) : 9.0 mm
 Diameter of Test Coupon(시험재 직경) : N/A
 Other : N/A

POSTWELD HEAT TREATMENT(QW-407) (후열처리)

Type (형태) : None
 Temperature Range (온도범위) : None
 Time Range (시간범위) : None
 T Limits : YES NO : None

FILLER METALS (QW-404) (용가재)

SFA No.(용가재 규격번호) 5.18
 AWS Classification (AWS 등급번호) ER70S-6(Bare Solid)
 Filler Metal F-No. 6
 Weld Metal Analysis A-No. ER70S-6
 Size of Filler Metals (용가재 크기) φ 2.4mm/φ 3.2mm
 Weld Metal Thickness (용착금속 두께) 9.0 mm
 Filler ±(Delet. / Add.) (용가재 삭제/추가) ER70S-6
 Other (기타) T-50(KISWEL)

GAS(QW-408) (가스)

| For | Percent Composition(조성비율) | | |
|-----------|---------------------------|---------------|-----------|
| | Gas(es) | Single | Flow Rate |
| Shielding | Ar | Welding Grade | 15ℓ/min. |
| Trailing | None | None | None |
| Backing | None | None | None |

POSITION (QW-405) (용접자세)

Test Position(s) (시험자세) 3G
 Welding Progression (Uphill, Downhill) Uphill
 용접진행 (상향, 하향)

ELECTRICAL CHARACTERISTICS (QW-409) (전기적 특성)

Current (전류) : DC Polarity(극성) : EN
 Amps(전류) : 120~200A Volts(전압) : 13~18V
 Tungstem Electode Size (텅스텐용접봉크기) φ 3.2, EWTh-2
 Heat Input(용접입열량) : Max. 1982 J/ cm
 Other(기타) : None

PREHEAT (QW-406)(예열)

Prehea Temp. Min. (최소 예열온도) : 26°C
 Interpass Temp. Max. (최대 층간온도) : 125°C
 Other (기타) N/A

TECHNIQUE(QW-410) (용접기법)

Travel Speed (운봉속도) : 10.9 ~ 17.1 cm / min.
 String or Weave bead (직진 혹은 웨이브) : weave
 Oscillation (진동) : None
 Multiple to Single Layer(다층에서 단층) : N/A
 Multiple to Single Pass(per side) (다층 혹은 단층) : Multiple
 Single to Multiple Electrodes (단극 혹은 다극 용접봉) : None
 Closed to out chamber (밀폐에서 개방) : None
 Use of thermal processes(열 사용) : None
 Other (기타) : None

JINWOO

JINWOO MACHINERY CO.,LTD. KOREA

PROCEDURE QUALIFICATION RECORD(PQR)

(Back)

Sheet No. 2 of 2

Record Actual Conditions Used to Weld Test Coupon.

PQR No : JW-WGT-PQ-001

Tensile Test (QW-150)(인장시험)

| Specimen No. | Width (mm) | Thick. (mm) | Area (mm ²) | Ultimate Tensile Load (kN) | Ultimate Unit Stress (N/mm ²) | Type of failure & Location (파손형태 및 위치) |
|--------------|------------|-------------|-------------------------|----------------------------|---|--|
| No.1 | 18.99 | 8.94 | 169.77 | 93.193 | 549.0 | Ductile,Weld Metal |
| No.2 | 18.91 | 8.86 | 167.54 | 94.784 | 566.0 | Ductile,Weld Metal |

Test Report Number :

Guided-Bend Test (QW-160)(굽힘시험)

| Specimen No. | Type of Bend | Result | Remarks |
|--------------|---------------------------|------------|----------------------------|
| No.1 | Transverse Face Bend Test | Acceptable | Open Discontinuity (1.0mm) |
| No.2 | Transverse Face Bend Test | Acceptable | No Open Discontinuity |
| No.1 | Transverse Root Bend Test | Acceptable | No Open Discontinuity |
| No.2 | Transverse Root Bend Test | Acceptable | No Open Discontinuity |

Test Report Number :

Toughness Test (QW-170)(충격시험)-N/A

| Specimen No. | Notch Location | Specimen Size(mm) | Test Temp.(°C) | Impact Values(충격저항)(J) | | | Lateral Expansion @Opposite the notch (Mils) |
|--------------|----------------|-------------------|----------------|------------------------|-----|------------|--|
| | | | | Base Metal | HAZ | Weld Metal | |
| | | | | | | | |
| | | | | | | | |
| | | | | | | | |

Test Report Number : N/A

Comments : N/A

Fillet-Weld Test (QW-170)(필렛용접시험) : N/A

Result(결과) Satisfactory : Yes _____ No _____ Penetration into Parent Metal(모재의 용입) : Yes _____ No _____

Other Test (기타시험)

Macro - Results(육안검사 결과) : N/A

Visual Exam @ Weld Metal and HAZ : N/A

Hardness Test @(Weld Metal, HAZ, Base Met -- Test Report Number : N/A

Micro Examinations : N/A

Ferrite Amount of Micro Examination @ HAZ : N/A

Nondestructive Examination : RT(Report No. : N/A)




Welder's Name(용접사명) : I.J.LEE Stamp No. : JW-001

Tests conducted by(시험수행처) : KOREA TESTING & RESEARCH INSTITUTE

Laboratory Test No. : _____

We certify that the statements in this record are correct and that the test welds were prepared, welded, and tested in accordance with the requirements of Section IX of the ASME Code.(본 용접절차 검증서는 용접시험준비, 용접, 시험이 ASME Code Section IX 의 요구사항과 일치됨을 증명한다.)

Manufacturer(제조사) : 진우기계 Date(일자) : 2015.01.20

| Prepared by(작성자) | Reviewed by(검토자) | Certified by(인증자) | Reviewed by(검토자) |
|---|---|--|------------------|
|  |  |  | |

Company Name(제조사 명) : 진우기계
 Welding Procedure Specification No.(사양서 번호) : JW-WFC-001 Date(일자) : 2017.10.20 Revision No.(개정번호) : 0
 Supporting PQR No.(s) (관련 용접절차검증서 번호) : JW-WFC-PQ-001
 Welding Process(es)(용접방법) : FCAW
 Type(Manual, Automatic, Semi-Auto.)(용접형태) : Semi-Auto

| JOINTS(QW-402) (용접이음) | JOINT DETAILS (용접이음상세) |
|--|--|
| Type of joint(용접방법) : Groove and Fillet Backing(백킹) : <input checked="" type="checkbox"/> Yes : For Fillet and double-welded groove <input type="checkbox"/> No : For single groove Backing Material (Type) (백킹재질, 형태) <input checked="" type="checkbox"/> Metal <input type="checkbox"/> Nonfusing Metal <input type="checkbox"/> Nonmetallic <input type="checkbox"/> Other Retainers(리테이너) : None | See the applicable shop drawings and welding map. (해당 도면 및 용접 맵 참조할 것.) |

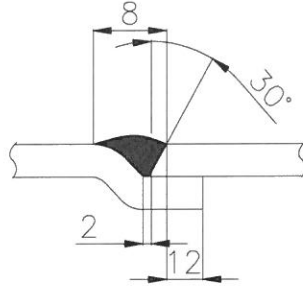
BASE METAL(QW-403) (모재)
 P-No. 1 Group No. ALL to P-No. 1 Group No. ALL
 or
 Specification and type / grade or UNS number. None
 to Specification type / grade or UNS number. None
 or
 Chem. Analysis and Mech. Prop. None
 to Chem. Analysis and Mech. Prop. None

 Qualified Thickness Range(모재두께범위)
 Base Metal : Groove : 1.5~18.0mm Fillet : Unlimited
 Maximum Pass Thickness ≤ 1/2in. (13mm) : (Yes) (No)
 Other : None

| FILLER METALS (QW-404) (용가재) | | FCAW | |
|--|--------|--|--|
| Spec. No. (SFA) | | 5.20 | |
| AWS No.(Class) | | E71T-1C | |
| F-No. | | 6 | |
| A-No. | | E71T-1C | |
| Size of Filler Metals(용가재 크기) | | 1.4 | |
| Filler Metal Product Form(용가재 형태) | | Flux Cored | |
| Supplemental Filler Metal(보충 용가재)/ Alloy Elements(합금 원소) | | NONE | |
| Weld Metal Thickness Range (용착금속 두께범위) | Groove | Max. 18.0mm | |
| | Fillet | Unlimited | |
| Flux Added(추가 플럭스) | | <input type="checkbox"/> Yes / <input type="checkbox"/> No ; N/A | |
| Flux Trade Name (플럭스 상품명) | | N/A | |
| Consumable Insert(소모성 인서트) | | N/A | |
| Others(기타) | | None | |

Company Name(제조사 명) : 진우기계
 Procedure Qualification Record No.(용접절차 검증서 번호) : JW-WFC-PQ-001 Date(일자) : 2015.01.20
 WPS No.(용접사양서 번호) : JW-WFC-001(Rev.0)
 Welding Process(es)(용접방법) : FCAW
 Type(Manual, Automatic, Semi-Auto.)(용접형태) : Semi-Automatic

JOINTS(QW-402) (용접이음)



Groove Angle : 45°, Root Opening : 2.0mm, Root Face : 1mm, T(Thickness) : 9.0mm

BASE METAL(QW-403) (모재)

Material Spec(모재사양) : _____ to _____
 Type or Grade (형태 혹은 등급) : _____ to _____
 P-No. 1 Gr-No. 2 to P-No. 1 Gr-No. 2
 Thickness of Test Coupon(시험재 두께) : 9.0 mm
 Diameter of Test Coupon(시험재 직경) : N/A
 Maximum Pass Thickness(패스 최대 두께) : 4.0 mm

POSTWELD HEAT TREATMENT(QW-407) (후열처리)

Type (형태) : None
 Temperature Range (온도범위) : None
 Time Range (시간범위) : None
 T Limits : YES NO : None

FILLER METALS (QW-404) (용가재)

SFA No.(용가재 규격번호) : 5.20
 AWS Classification (AWS 등급번호) : E71T-1C (Flux Cored)
 Filler Metal F-No. : 6
 Weld Metal Analysis A-No. : E71T-1C
 Size of Filler Metals (용가재 크기) : φ 1.4
 Supplemental Filler Metal(보충 용가재) : None
 Alloy Elements(합금 원소) : None
 Weld Metal Thickness (용착금속 두께) : 9.0 mm

GAS(QW-408) (가스)

| For | Percent Composition(조성비율) | | |
|-----------|---------------------------|---------------|-----------|
| | Gas(es) | Single | Flow Rate |
| Shielding | CO2 | Welding Grade | 15ℓ/min. |
| Trailing | None | None | None |
| Backing | None | None | None |

POSITION (QW-405) (용접자세)

Test Position(s) (시험자세) : 3G
 Welding Progression (Uphill, Downhill) : Uphill
 용접진행 (상향, 하향)

ELECTRICAL CHARACTERISTICS (QW-409) (전기적 특성)

Current (전류) : DC Polarity(극성) : EP
 Amps(전류) : 245~250A Volts(전압) : 28~29V
 Mode of Metal Transfer for GMAW(FCAW) : Globular
 Heat Input(용접입열량) : Max. 17284 J/ cm
 Other(기타) : None

PREHEAT (QW-406)(예열)

Prehea Temp. Min. (최소 예열온도) : 55°C
 Interpass Temp. Max. (최대 층간온도) : 170°C
 Other (기타) : N/A

TECHNIQUE(QW-410) (용접기법)

Travel Speed (운봉속도) : 24.3 ~ 26.5 cm / min.
 String or Weave bead (직진 혹은 웨이브) : weave
 Oscillation (진동) : None
 Multiple to Single Layer(다층에서 단층) : N/A
 Multiple to Single Pass(per side) (다층 혹은 단층) : Multiple
 Single to Multiple Electrodes (단극 혹은 다극 용접봉) : None
 Closed to out chamber (밀폐에서 개방) : N/A
 Use of thermal processes(열 사용) : None
 Other (기타) : None

JINWOO

JINWOO MACHINERY CO.,LTD. KOREA

PROCEDURE QUALIFICATION RECORD(PQR)

Sheet No. 2 of 2

(Back)

Record Actual Conditions Used to Weld Test Coupon.

PQR No : JW-WFC-PQ-001

Tensile Test (QW-150)(인장시험)

| Specimen No. | Width (mm) | Thick. (mm) | Area (mm ²) | Ultimate Tensile Load (kN) | Ultimate Unit Stress (N/mm ²) | Type of failure & Location (파손형태 및 위치) |
|--------------|------------|-------------|-------------------------|----------------------------|---|--|
| No.1 | 18.91 | 8.85 | 167.35 | 94.552 | 565.0 | Ductile,Base Metal |
| No.2 | 19.00 | 8.46 | 160.74 | 91.878 | 572.0 | Ductile,Weld Metal |

Test Report Number :

Guided-Bend Test (QW-160)(굽힘시험)

| Specimen No. | Type of Bend | Result | Remarks |
|--------------|---------------------------|------------|----------------|
| No.1 | Transverse Face Bend Test | Acceptable | No Open Defect |
| No.2 | Transverse Face Bend Test | Acceptable | No Open Defect |
| No.1 | Transverse Root Bend Test | Acceptable | No Open Defect |
| No.2 | Transverse Root Bend Test | Acceptable | No Open Defect |

Test Report Number :

Toughness Test (QW-170)(충격시험)-N/A

| Specimen No. | Notch Location | Specimen Size(mm) | Test Temp.(°C) | Impact Values(충격저항)(J) | | | Lateral Expansion @Opposite the notch (Mils) |
|--------------|----------------|-------------------|----------------|------------------------|-----|------------|--|
| | | | | Base Metal | HAZ | Weld Metal | |
| | | | | | | | |
| | | | | | | | |
| | | | | | | | |

Test Report Number : N/A

Comments : N/A

Fillet-Weld Test (QW-170)(필렛용접시험) : N/A

Result(결과) Satisfactory : Yes _____ No _____ Penetration into Parent Metal(모재의 용입) : Yes _____ No _____

Other Test (기타시험)

Macro - Results(육안검사 결과) : N/A

Visual Exam @ Weld Metal and HAZ : N/A

Hardness Test @(Weld Metal, HAZ, Base Met: -- Test Report Number : N/A

Micro Examinations : N/A

Ferrite Amount of Micro Examination @ HAZ : N/A

Nondestructive Examination : RT(Report No. : N/A)




Welder's Name(용접사명) : I.J.LEE Stamp No. : JW-001

Tests conducted by(시험수행처) : KOREA TESTING & RESEARCH INSTITUTE

Laboratory Test No. : _____

We certify that the statements in this record are correct and that the test welds were prepared, welded, and tested in accordance with the requirements of Section IX of the ASME Code.(본 용접절차 검증서는 용접시험준비, 용접, 시험이 ASME Code Section IX 의 요구사항과 일치됨을 증명한다.)

Manufacturer(제조사) : 진우기계 Date(일자) : 2017.10.20

| Prepared by(작성자) | Reviewed by(검토자) | Certified by(인증자) | Reviewed by(검토자) |
|---|---|--|------------------|
|  |  |  | |

5. PROTECTION EQUIPMENT

5-1. PROTECTION CONTENT

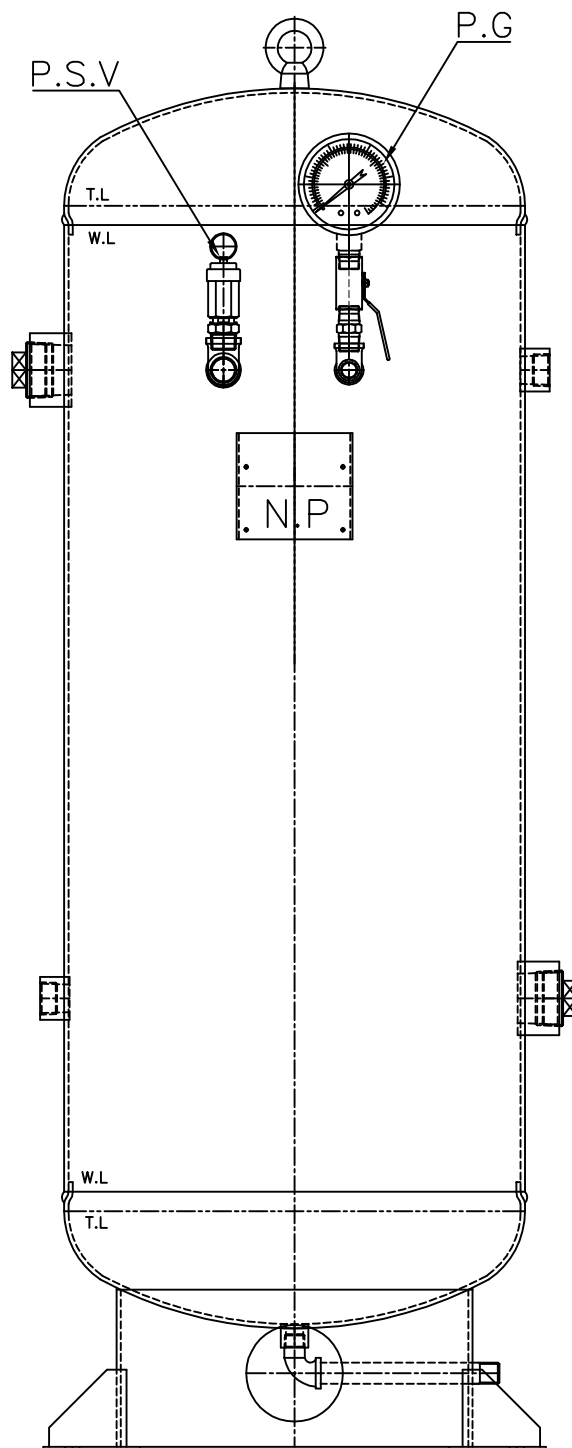
5-2. PROTECTION INSTALLATION DWG

5-3. PROTECTION SPECIFICATION

5-1. PROTECTION CONTENT

| ITEM | INSTALLATION | | REASON OF NO INSTALLATION | REMARK |
|-------|--------------|--------|---------------------------|--------|
| | SHELL | PIPING | | |
| P.S.V | ○ | | | |
| P.G | ○ | | | |
| T.I | | | | |

5-2. PROTECTION INSTALLATION DWG



1, PROTECTION SPECIFICATION.

1.1 SAFETY VALVE

A. GENERAL SPECIFICATION.

| | | |
|----------------------|---|--------------------------|
| 1) ITEM NO | : | |
| 2) NOZZLE NO | : | N4 |
| 3) Q'TY | : | 1.0 EA |
| 4) MANUFACTURE | : | INT KOTREA or EQ |
| 5) MODEL | : | ISV-15A(LIFT TYPE) or EQ |
| 6) INLET CONNECTION | : | 8A(PT 1/4") |
| 7) OUTLET CONNECTION | : | OPEN |

B. DESIGN CONDITION

| | | |
|--|---|-----------------------|
| 1) FLUID | : | AIR |
| 2) SPECIFIC HEAT RATIO (C) | : | 27.03 |
| 3) ORIFICE AREA(A) | : | 18.84 mm ² |
| 4) MOL WEIGHT(M) | : | 28.96 |
| 5) RELIEVING TEMP(T) °C + 273 | : | 313 °C |
| 6) SETTING PRESSURE(P) | : | 0.98 Mpa |
| 7) ATMOSPHERIC PRESSURE(Pa) | : | 0.104 Mpa |
| 8) EMISSION COEFFICIENT(K) | : | 0.878 |
| 9) NOZZLE INDIAMETER(D) (15Axt3.7) | : | 1.630 cm |
| 11) AIR VELOCITY(V) | : | 15.0 m/sec |
| 12) $y = (P + 0.103) \times 10^4 / (M \times T) =$ | : | 12.161 |

1.2 DISCHARGE CAPACITY OF VALVE

$$W_a = C \times K \times A \times \{(P \times 1.1) + P_a\} \times \sqrt{(M/T)}$$

$$W_a = 27.03 \times 0.878 \times 18.84 \times \{(0.98 \times 1.1) + 0.104\} \times \sqrt{(28.96/313)}$$

$$= 160.76 \text{ kg/hr}$$

1.3 MAX. INLET CAPACITY

$$W_F = 0.28 \times V \times y \times D^2$$

$$= 0.28 \times 15 \times 12.161 \times (1.63^2) = 135.70 \text{ Kg/Hr}$$

1.4 RESULT

$$W_F = 135.7 \text{ Kg/Hr} < W_r = 160.75 \text{ Kg/Hr}$$

THEREFORE, 8A(PT 1/4")x1EA S/V -----OK !

1, PROTECTION SPECIFICATION.

1.1 SAFETY VALVE

A. GENERAL SPECIFICATION.

| | | |
|----------------------|---|--------------------------|
| 1) ITEM NO | : | |
| 2) NOZZLE NO | : | N4 |
| 3) Q'TY | : | 1.0 EA |
| 4) MANUFACTURE | : | INT KOTREA or EQ |
| 5) MODEL | : | ISV-15A(LIFT TYPE) or EQ |
| 6) INLET CONNECTION | : | 15A(PT 1/2") |
| 7) OUTLET CONNECTION | : | OPEN |

B. DESIGN CONDITION

| | | |
|--|---|-----------------------|
| 1) FLUID | : | AIR |
| 2) SPECIFIC HEAT RATIO (C) | : | 27.03 |
| 3) ORIFICE AREA(A) | : | 55.95 mm ² |
| 4) MOL WEIGHT(M) | : | 28.96 |
| 5) RELIEVING TEMP(T) °C + 273 | : | 313 °C |
| 6) SETTING PRESSURE(P) | : | 0.98 Mpa |
| 7) ATMOSPHERIC PRESSURE(Pa) | : | 0.104 Mpa |
| 8) EMISSION COEFFICIENT(K) | : | 0.878 |
| 9) NOZZLE INDIAMETER(D) (25Ax4.5) | : | 2.700 cm |
| 11) AIR VELOCITY(V) | : | 15.0 m/sec |
| 12) $y = (P + 0.103) \times 10^4 / (M \times T) =$ | | 12.161 |

1.2 DISCHARGE CAPACITY OF VALVE

$$W_a = C \times K \times A \times \{(P \times 1.1) + P_a\} \times \sqrt{(M/T)}$$

$$W_a = 27.03 \times 0.878 \times 55.95 \times \{(0.98 \times 1.1) + 0.104\} \times \sqrt{(28.96/313)}$$

$$= 477.40 \text{ kg/hr}$$

1.3 MAX. INLET CAPACITY

$$W_F = 0.28 \times V \times y \times D^2$$

$$= 0.28 \times 15 \times 12.161 \times (2.7^2) = 372.34 \text{ Kg/Hr}$$

1.4 RESULT

$$W_F = 372.34 \text{ Kg/Hr} < W_r = 477.4 \text{ Kg/Hr}$$

THEREFORE, 15A(PT 1/2")x1EA S/V -----OK !

1, PROTECTION SPECIFICATION.

1.1 SAFETY VALVE

A. GENERAL SPECIFICATION.

| | | |
|----------------------|---|--------------------------|
| 1) ITEM NO | : | |
| 2) NOZZLE NO | : | N4 |
| 3) Q'TY | : | 1.0 EA |
| 4) MANUFACTURE | : | INT KOTREA or EQ |
| 5) MODEL | : | ISV-20A(LIFT TYPE) or EQ |
| 6) INLET CONNECTION | : | 20A(PT 3/4") |
| 7) OUTLET CONNECTION | : | OPEN |

B. DESIGN CONDITION

| | | |
|--|---|------------------------|
| 1) FLUID | : | AIR |
| 2) SPECIFIC HEAT RATIO (C) | : | 27.03 |
| 3) ORIFICE AREA(A) | : | 101.30 mm ² |
| 4) MOL WEIGHT(M) | : | 28.96 |
| 5) RELIEVING TEMP(T) °C + 273 | : | 313 °C |
| 6) SETTING PRESSURE(P) | : | 0.98 Mpa |
| 7) ATMOSPHERIC PRESSURE(Pa) | : | 0.104 Mpa |
| 8) EMISSION COEFFICIENT(K) | : | 0.878 |
| 9) NOZZLE INDIAMETER(D) (40Ax5.1) | : | 4.040 cm |
| 11) AIR VELOCITY(V) | : | 15.0 m/sec |
| 12) $y = (P + 0.103) \times 10^4 / (M \times T) =$ | | 12.161 |

1.2 DISCHARGE CAPACITY OF VALVE

$$W_a = C \times K \times A \times \{(P \times 1.1) + P_a\} \times \sqrt{(M/T)}$$

$$W_a = 27.03 \times 0.878 \times 101.3 \times \{(0.98 \times 1.1) + 0.104\} \times \sqrt{(28.96/313)}$$

$$= 864.36 \text{ kg/hr}$$

1.3 MAX. INLET CAPACITY

$$W_F = 0.28 \times V \times y \times D^2$$

$$= 0.28 \times 15 \times 12.161 \times (4.04^2) = 833.64 \text{ Kg/Hr}$$

1.4 RESULT

$$W_F = 833.64 \text{ Kg/Hr} < W_r = 864.35 \text{ Kg/Hr}$$

THEREFORE, 20A(PT 3/4")x1EA S/V -----OK !

1, PROTECTION SPECIFICATION.

1.1 SAFETY VALVE

A. GENERAL SPECIFICATION.

| | | |
|----------------------|---|-------------------------------|
| 1) ITEM NO | : | |
| 2) NOZZLE NO | : | N4 |
| 3) Q'TY | : | 1.0 EA |
| 4) MANUFACTURE | : | JOKWANG I.L.I CO.,LTD or EQ |
| 5) MODEL | : | JSV-LT12(LOW LIFT TYPE) or EQ |
| 6) INLET CONNECTION | : | 32A |
| 7) OUTLET CONNECTION | : | 32A |

B. DESIGN CONDITION

| | | |
|--|---|------------------------|
| 1) FLUID | : | AIR |
| 2) SPECIFIC HEAT RATIO (C) | : | 27.03 |
| 3) ORIFICE AREA(A) | : | 221.17 mm ² |
| 4) MOL WEIGHT(M) | : | 28.96 |
| 5) RELIEVING TEMP(T) °C + 273 | : | 313 °C |
| 6) SETTING PRESSURE(P) | : | 0.98 Mpa |
| 7) ATMOSPHERIC PRESSURE(Pa) | : | 0.104 Mpa |
| 8) EMISSION COEFFICIENT(K) | : | 0.878 |
| 9) NOZZLE INDIAMETER(D) (50Ax5.5) | : | 4.950 cm |
| 11) AIR VELOCITY(V) | : | 15.0 m/sec |
| 12) $y = (P + 0.103) \times 10^4 / (M \times T) =$ | | 12.161 |

1.2 DISCHARGE CAPACITY OF VALVE

$$W_a = C \times K \times A \times \{(P \times 1.1) + P_a\} \times \sqrt{(M/T)}$$

$$W_a = 27.03 \times 0.878 \times 221.168 \times \{(0.98 \times 1.1) + 0.104\} \times \sqrt{(28.96/313)}$$

$$= 1,887.15 \text{ kg/hr}$$

1.3 MAX. INLET CAPACITY

$$W_F = 0.28 \times V \times y \times D^2$$

$$= 0.28 \times 15 \times 12.161 \times (4.95^2) = 1,251.48 \text{ Kg/Hr}$$

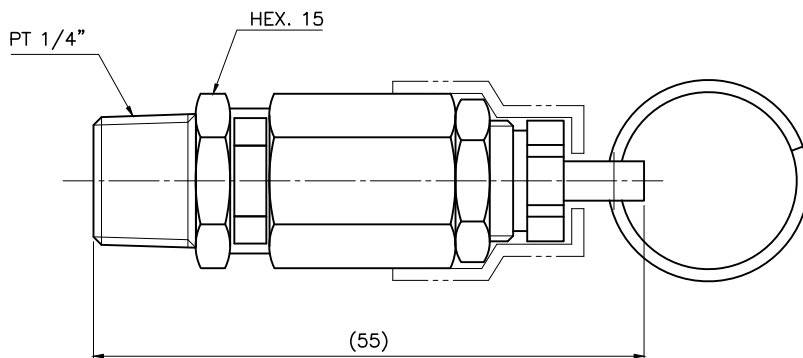
1.4 RESULT

$$W_F = 1251.48 \text{ Kg/Hr} < W_r = 1887.15 \text{ Kg/Hr}$$

THEREFORE, 32Ax1EA S/V ----- OK !

Τ305000923

| ITEM | DESCRIPTION | MATERIAL | Q'TY | SIZE | PART DRAWN NO | WT(Kg) |
|------|-------------|----------|------|------|---------------|--------|
| | | | | | | |



NOTE

1. SET PRESSURE RANGE IS 0.5 MPa TO 1.5 MPa
2. RELIEF CAPACITY SEE TABLE
3. MATERIALS OF CONSTRUCTION
 BODY, DISK ---- BRASS
 STEM, NUT ---- STEEL
 PACKING ---- VITON
4. MAX. TEMPERATURE 120°C

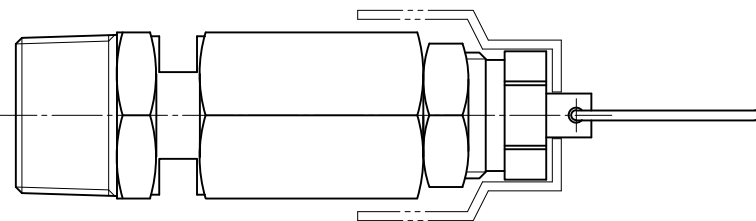
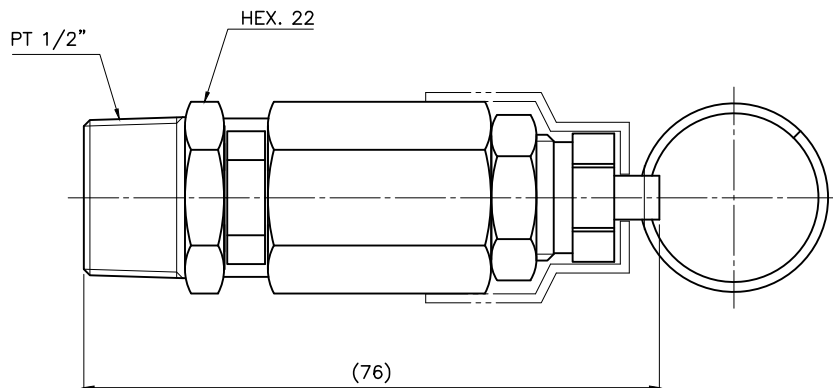
| | | | | | | | | | | | |
|----------------------|------------|-----------------|-------|--------|-------|-------|---------|----------------------|--|-----|--------|
| I&T KOREA | | | | | | | NAME | SAFETY VALVE, PT1/4" | | | |
| SCALE | 2/1 | NTS | DRAWN | DESIGN | CHECK | APPR | TIT.PRJ | ISV-08A | | | |
| UNIT | mm | inch | | L.G.H | | L.H.G | DWG NO | PART NO | | REV | SHT NO |
| DATE | 2012. 5.24 | | | | | | | T305000923 | | 00 | |

| SYM | REVISION | DATE | SIGN | CHECK | APPR | REFERENCE DRAWING |
|-----|----------|------|------|-------|------|-------------------|
| | | | | | | |

1 2 3 4 5 6 7 8

Σ305000933

| ITEM | DESCRIPTION | MATERIAL | Q'TY | SIZE | PART DRAWN NO | WT(Kg) |
|------|-------------|----------|------|------|---------------|--------|
| | | | | | | |



NOTE

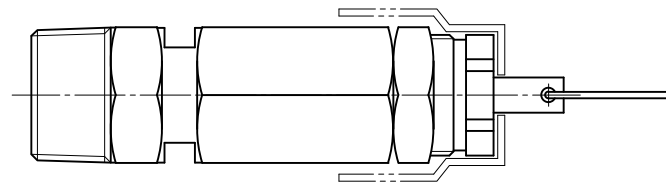
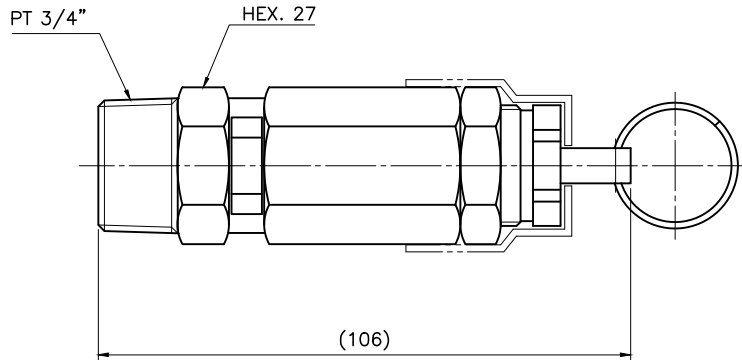
1. SET PRESSURE RANGE IS 0.5 MPa TO 1.5 MPa
2. RELIEF CAPACITY SEE TABLE
3. MATERIALS OF CONSTRUCTION
 BODY, DISK --- BRASS
 STEM, NUT --- STEEL
 PACKING --- VITON
4. MAX. TEMPERATURE 120°C

| | | | | | | | | | | | |
|------|------------|-----------------|--|-------|--|-------|----------------------|--------|------------|--------|--------|
| | | | | | | NAME | SAFETY VALVE, PT1/2" | | | | |
| | | | | | | SCALE | 2/3 | NTS | DRAWN | DESIGN | CHECK |
| UNIT | mm | inch | | L.H.G | | | L.H.G | DWG NO | PART NO | REV | SHT NO |
| DATE | 2012. 5.24 | | | | | | | | T305000933 | 00 | |

| SYM | REVISION | DATE | SIGN | CHECK | APPR | REFERENCE DRAWING |
|-----|----------|------|------|-------|------|-------------------|
| | | | | | | |

£9110090£1

| ITEM | DESCRIPTION | MATERIAL | Q'TY | SIZE | PART DRAWN NO | WT(Kg) |
|------|-------------|----------|------|------|---------------|--------|
| | | | | | | |



NOTE

1. SET PRESSURE RANGE IS 0.5 MPa TO 1.5 MPa
2. RELIEF CAPACITY SEE TABLE
3. MATERIALS OF CONSTRUCTION
 BODY, DISK ---- BRASS
 STEM, NUT ---- STEEL
 PACKING ---- VITON
4. MAX. TEMPERATURE 120°C

| | | | | | | | | |
|----------------------|------------|-----------------|-------|--------|----------------------|-------|---------|------------|
| I&T KOREA | | | | NAME | SAFETY VALVE, PT3/4" | | | |
| SCALE | 1/1 | 1/1 | DRAWN | DESIGN | CHECK | APPR | TIT.PRJ | ISV-20B |
| UNIT | mm | inch | | L.G.H | | L.H.G | DWG NO | PART NO |
| DATE | 2012. 9. 3 | | | | | | | T305001163 |
| | | | | | | | | REV 00 |
| | | | | | | | | SHT NO |

| SYM | REVISION | DATE | SIGN | CHECK | APPR | REFERENCE DRAWING |
|-----|----------|------|------|-------|------|-------------------|
| | | | | | | |

안전밸브 사양서

| 제조사 | (주)아이엔티코리아 | 소재지 | 경기도 군포시 당정로60번길 24 (당정동,2층) | | | | | | | | | | | | | | | | | | | | | | | | | | | | | | | | |
|--------------------|---|---------------|-----------------------------|--------------|--------------|-------------|------|--|---------------|----------------------|-----|-----|------|------|-----|------|------|-----|------|------|-----|------|-------|-----|------|-------|------|------|-------|------|------|-------|------|------|-------|
| 대표자 | 이 형 곤 | 전화 | 031-465-5374 | 팩스 | 031-465-5375 | | | | | | | | | | | | | | | | | | | | | | | | | | | | | | |
| 안전밸브 구분 | 모델명 | 제조번호 | 밸브형식 | 리프트형식 | 호칭지름 | 호칭압력 | | | | | | | | | | | | | | | | | | | | | | | | | | | | | |
| | ISV - 08A | - | GL I 1 / GL I 3 | 양정식 | 8A(PT1/4") | 3 Mpa 이하 | | | | | | | | | | | | | | | | | | | | | | | | | | | | | |
| 특 성 | 적용유체 | 설정압력 | | 분출정지압력 | | 분출차압력 | | | | | | | | | | | | | | | | | | | | | | | | | | | | | |
| | 압축공기 | 아래 표 참조 | | 설정압력 - 분출차압력 | | 설정압력의 10%이하 | | | | | | | | | | | | | | | | | | | | | | | | | | | | | |
| | 사용온도범위 | 허용초과압력 | | 공칭분출량 | | 외형 치수 (LxH) | | | | | | | | | | | | | | | | | | | | | | | | | | | | | |
| | -20 ~ 120℃ | +10% | | 아래 표 참조 | | 55 x 15 | | | | | | | | | | | | | | | | | | | | | | | | | | | | | |
| 재료 | 밸브상자 | 디스크 | 시트 | 스프링 | 기타부분 | | | | | | | | | | | | | | | | | | | | | | | | | | | | | | |
| | 황동(C3604BD-F) | 황동(C3604BD-F) | VITON | SWP-B | 탄소강 | | | | | | | | | | | | | | | | | | | | | | | | | | | | | | |
| 설정압력별 공칭분출량 | <table border="1" style="width: 100%; border-collapse: collapse;"> <thead> <tr> <th colspan="2" style="text-align: center;">설정압력</th> <th rowspan="2" style="text-align: center;">공칭분출량 (kg/hr)</th> </tr> <tr> <th style="text-align: center;">kg/cm²G</th> <th style="text-align: center;">Mpa</th> </tr> </thead> <tbody> <tr><td style="text-align: center;">8.0</td><td style="text-align: center;">0.78</td><td style="text-align: center;">89.9</td></tr> <tr><td style="text-align: center;">8.5</td><td style="text-align: center;">0.83</td><td style="text-align: center;">95.5</td></tr> <tr><td style="text-align: center;">8.8</td><td style="text-align: center;">0.86</td><td style="text-align: center;">98.8</td></tr> <tr><td style="text-align: center;">9.5</td><td style="text-align: center;">0.93</td><td style="text-align: center;">106.7</td></tr> <tr><td style="text-align: center;">9.9</td><td style="text-align: center;">0.97</td><td style="text-align: center;">111.2</td></tr> <tr><td style="text-align: center;">10.8</td><td style="text-align: center;">1.06</td><td style="text-align: center;">121.3</td></tr> <tr><td style="text-align: center;">12.0</td><td style="text-align: center;">1.18</td><td style="text-align: center;">134.8</td></tr> <tr><td style="text-align: center;">15.0</td><td style="text-align: center;">1.47</td><td style="text-align: center;">168.5</td></tr> </tbody> </table> | | | | | | 설정압력 | | 공칭분출량 (kg/hr) | kg/cm ² G | Mpa | 8.0 | 0.78 | 89.9 | 8.5 | 0.83 | 95.5 | 8.8 | 0.86 | 98.8 | 9.5 | 0.93 | 106.7 | 9.9 | 0.97 | 111.2 | 10.8 | 1.06 | 121.3 | 12.0 | 1.18 | 134.8 | 15.0 | 1.47 | 168.5 |
| | 설정압력 | | 공칭분출량 (kg/hr) | | | | | | | | | | | | | | | | | | | | | | | | | | | | | | | | |
| | kg/cm ² G | Mpa | | | | | | | | | | | | | | | | | | | | | | | | | | | | | | | | | |
| | 8.0 | 0.78 | 89.9 | | | | | | | | | | | | | | | | | | | | | | | | | | | | | | | | |
| | 8.5 | 0.83 | 95.5 | | | | | | | | | | | | | | | | | | | | | | | | | | | | | | | | |
| | 8.8 | 0.86 | 98.8 | | | | | | | | | | | | | | | | | | | | | | | | | | | | | | | | |
| | 9.5 | 0.93 | 106.7 | | | | | | | | | | | | | | | | | | | | | | | | | | | | | | | | |
| | 9.9 | 0.97 | 111.2 | | | | | | | | | | | | | | | | | | | | | | | | | | | | | | | | |
| | 10.8 | 1.06 | 121.3 | | | | | | | | | | | | | | | | | | | | | | | | | | | | | | | | |
| | 12.0 | 1.18 | 134.8 | | | | | | | | | | | | | | | | | | | | | | | | | | | | | | | | |
| 15.0 | 1.47 | 168.5 | | | | | | | | | | | | | | | | | | | | | | | | | | | | | | | | | |
| * 공칭분출량의 온도조건은 40℃ | | | | | | | | | | | | | | | | | | | | | | | | | | | | | | | | | | | |

안전밸브 사양서

| 제조사 | (주)아이엔티코리아 | 소재지 | 경기도 군포시 당정로60번길 24 (당정동,2층) | | | | | | | | | | | | | | | | | | | | | | | | | | | | | | | | |
|--------------------|--|---------------|-----------------------------|--------------|--------------|----------|------|--|---------------|----------------------|-----|-----|------|-------|-----|------|-------|-----|------|-------|-----|------|-------|-----|------|-------|------|------|-------|------|------|-------|------|------|-------|
| 대표자 | 이 형 곤 | 전화 | 031-465-5374 | 팩스 | 031-465-5375 | | | | | | | | | | | | | | | | | | | | | | | | | | | | | | |
| 안전밸브 구분 | 모델명 | 제조번호 | 밸브형식 | 리프트형식 | 호칭지름 | 호칭압력 | | | | | | | | | | | | | | | | | | | | | | | | | | | | | |
| | ISV - 15A | - | GL I 1 / GL I 3 | 양정식 | 15A(PT1/2") | 3 Mpa 이하 | | | | | | | | | | | | | | | | | | | | | | | | | | | | | |
| 특 성 | 적용유체 | 설정압력 | | 분출정지압력 | 분출차압력 | | | | | | | | | | | | | | | | | | | | | | | | | | | | | | |
| | 압축공기 | 아래 표 참조 | | 설정압력 - 분출차압력 | 설정압력의 10%이하 | | | | | | | | | | | | | | | | | | | | | | | | | | | | | | |
| | 사용온도범위 | 허용초과압력 | | 공칭분출량 | 외형 치수 (LxH) | | | | | | | | | | | | | | | | | | | | | | | | | | | | | | |
| | -20 ~ 120℃ | +10% | | 아래 표 참조 | 76 x 22 | | | | | | | | | | | | | | | | | | | | | | | | | | | | | | |
| 재료 | 밸브상자 | 디스크 | 시트 | 스프링 | 기타부분 | | | | | | | | | | | | | | | | | | | | | | | | | | | | | | |
| | 황동(C3604BD-F) | 황동(C3604BD-F) | VITON | SWP-B | 탄소강 | | | | | | | | | | | | | | | | | | | | | | | | | | | | | | |
| 설정압력별 공칭분출량 | <table border="1" style="width: 100%; border-collapse: collapse;"> <thead> <tr> <th colspan="2" style="text-align: center;">설정압력</th> <th rowspan="2" style="text-align: center;">공칭분출량 (kg/hr)</th> </tr> <tr> <th style="text-align: center;">kg/cm²G</th> <th style="text-align: center;">Mpa</th> </tr> </thead> <tbody> <tr><td style="text-align: center;">8.0</td><td style="text-align: center;">0.78</td><td style="text-align: center;">265.1</td></tr> <tr><td style="text-align: center;">8.5</td><td style="text-align: center;">0.83</td><td style="text-align: center;">281.7</td></tr> <tr><td style="text-align: center;">8.8</td><td style="text-align: center;">0.86</td><td style="text-align: center;">291.6</td></tr> <tr><td style="text-align: center;">9.5</td><td style="text-align: center;">0.93</td><td style="text-align: center;">314.8</td></tr> <tr><td style="text-align: center;">9.9</td><td style="text-align: center;">0.97</td><td style="text-align: center;">328.1</td></tr> <tr><td style="text-align: center;">10.8</td><td style="text-align: center;">1.06</td><td style="text-align: center;">340.3</td></tr> <tr><td style="text-align: center;">12.0</td><td style="text-align: center;">1.18</td><td style="text-align: center;">378.1</td></tr> <tr><td style="text-align: center;">15.0</td><td style="text-align: center;">1.47</td><td style="text-align: center;">472.6</td></tr> </tbody> </table> | | | | | | 설정압력 | | 공칭분출량 (kg/hr) | kg/cm ² G | Mpa | 8.0 | 0.78 | 265.1 | 8.5 | 0.83 | 281.7 | 8.8 | 0.86 | 291.6 | 9.5 | 0.93 | 314.8 | 9.9 | 0.97 | 328.1 | 10.8 | 1.06 | 340.3 | 12.0 | 1.18 | 378.1 | 15.0 | 1.47 | 472.6 |
| | 설정압력 | | 공칭분출량 (kg/hr) | | | | | | | | | | | | | | | | | | | | | | | | | | | | | | | | |
| | kg/cm ² G | Mpa | | | | | | | | | | | | | | | | | | | | | | | | | | | | | | | | | |
| | 8.0 | 0.78 | 265.1 | | | | | | | | | | | | | | | | | | | | | | | | | | | | | | | | |
| | 8.5 | 0.83 | 281.7 | | | | | | | | | | | | | | | | | | | | | | | | | | | | | | | | |
| | 8.8 | 0.86 | 291.6 | | | | | | | | | | | | | | | | | | | | | | | | | | | | | | | | |
| | 9.5 | 0.93 | 314.8 | | | | | | | | | | | | | | | | | | | | | | | | | | | | | | | | |
| | 9.9 | 0.97 | 328.1 | | | | | | | | | | | | | | | | | | | | | | | | | | | | | | | | |
| | 10.8 | 1.06 | 340.3 | | | | | | | | | | | | | | | | | | | | | | | | | | | | | | | | |
| | 12.0 | 1.18 | 378.1 | | | | | | | | | | | | | | | | | | | | | | | | | | | | | | | | |
| 15.0 | 1.47 | 472.6 | | | | | | | | | | | | | | | | | | | | | | | | | | | | | | | | | |
| * 공칭분출량의 온도조건은 40℃ | | | | | | | | | | | | | | | | | | | | | | | | | | | | | | | | | | | |

안전밸브 사양서

| 제조사 | (주)아이엔티코리아 | 소재지 | 경기도 군포시 당정로60번길 24 (당정동,2층) | | | | | | | | | | | | | | | | | | | | | | | | | | | | | | | | |
|--------------------|--|---------------|-----------------------------|--------------|--------------|----------|------|--|---------------|----------------------|-----|-----|------|-------|-----|------|-------|-----|------|-------|-----|------|-------|-----|------|-------|------|------|-------|------|------|-------|------|------|-------|
| 대표자 | 이 형 곤 | 전화 | 031-465-5374 | 팩스 | 031-465-5375 | | | | | | | | | | | | | | | | | | | | | | | | | | | | | | |
| 안전밸브 구분 | 모델명 | 제조번호 | 밸브형식 | 리프트형식 | 호칭지름 | 호칭압력 | | | | | | | | | | | | | | | | | | | | | | | | | | | | | |
| | ISV - 20B | - | GL I 1 / GL I 3 | 양정식 | 20A(PT3/4") | 3 Mpa 이하 | | | | | | | | | | | | | | | | | | | | | | | | | | | | | |
| 특 성 | 적용유체 | 설정압력 | | 분출정지압력 | 분출차압력 | | | | | | | | | | | | | | | | | | | | | | | | | | | | | | |
| | 압축공기 | 아래 표 참조 | | 설정압력 - 분출차압력 | 설정압력의 10%이하 | | | | | | | | | | | | | | | | | | | | | | | | | | | | | | |
| | 사용온도범위 | 허용초과압력 | | 공칭분출량 | 외형 치수 (LxH) | | | | | | | | | | | | | | | | | | | | | | | | | | | | | | |
| | -20 ~ 120℃ | +10% | | 아래 표 참조 | 106 x 27 | | | | | | | | | | | | | | | | | | | | | | | | | | | | | | |
| 재료 | 밸브상자 | 디스크 | 시트 | 스프링 | 기타부분 | | | | | | | | | | | | | | | | | | | | | | | | | | | | | | |
| | 황동(C3604BD-F) | 황동(C3604BD-F) | VITON | SWP-B | 탄소강 | | | | | | | | | | | | | | | | | | | | | | | | | | | | | | |
| 설정압력별 공칭분출량 | <table border="1" style="width: 100%; border-collapse: collapse;"> <thead> <tr> <th colspan="2" style="text-align: center;">설정압력</th> <th rowspan="2" style="text-align: center;">공칭분출량 (kg/hr)</th> </tr> <tr> <th style="text-align: center;">kg/cm²G</th> <th style="text-align: center;">Mpa</th> </tr> </thead> <tbody> <tr><td style="text-align: center;">8.0</td><td style="text-align: center;">0.78</td><td style="text-align: center;">487.4</td></tr> <tr><td style="text-align: center;">8.5</td><td style="text-align: center;">0.83</td><td style="text-align: center;">517.9</td></tr> <tr><td style="text-align: center;">8.8</td><td style="text-align: center;">0.86</td><td style="text-align: center;">536.2</td></tr> <tr><td style="text-align: center;">9.5</td><td style="text-align: center;">0.93</td><td style="text-align: center;">578.8</td></tr> <tr><td style="text-align: center;">9.9</td><td style="text-align: center;">0.97</td><td style="text-align: center;">603.2</td></tr> <tr><td style="text-align: center;">10.8</td><td style="text-align: center;">1.06</td><td style="text-align: center;">605.4</td></tr> <tr><td style="text-align: center;">12.0</td><td style="text-align: center;">1.18</td><td style="text-align: center;">672.6</td></tr> <tr><td style="text-align: center;">15.0</td><td style="text-align: center;">1.47</td><td style="text-align: center;">840.8</td></tr> </tbody> </table> | | | | | | 설정압력 | | 공칭분출량 (kg/hr) | kg/cm ² G | Mpa | 8.0 | 0.78 | 487.4 | 8.5 | 0.83 | 517.9 | 8.8 | 0.86 | 536.2 | 9.5 | 0.93 | 578.8 | 9.9 | 0.97 | 603.2 | 10.8 | 1.06 | 605.4 | 12.0 | 1.18 | 672.6 | 15.0 | 1.47 | 840.8 |
| | 설정압력 | | 공칭분출량 (kg/hr) | | | | | | | | | | | | | | | | | | | | | | | | | | | | | | | | |
| | kg/cm ² G | Mpa | | | | | | | | | | | | | | | | | | | | | | | | | | | | | | | | | |
| | 8.0 | 0.78 | 487.4 | | | | | | | | | | | | | | | | | | | | | | | | | | | | | | | | |
| | 8.5 | 0.83 | 517.9 | | | | | | | | | | | | | | | | | | | | | | | | | | | | | | | | |
| | 8.8 | 0.86 | 536.2 | | | | | | | | | | | | | | | | | | | | | | | | | | | | | | | | |
| | 9.5 | 0.93 | 578.8 | | | | | | | | | | | | | | | | | | | | | | | | | | | | | | | | |
| | 9.9 | 0.97 | 603.2 | | | | | | | | | | | | | | | | | | | | | | | | | | | | | | | | |
| | 10.8 | 1.06 | 605.4 | | | | | | | | | | | | | | | | | | | | | | | | | | | | | | | | |
| | 12.0 | 1.18 | 672.6 | | | | | | | | | | | | | | | | | | | | | | | | | | | | | | | | |
| 15.0 | 1.47 | 840.8 | | | | | | | | | | | | | | | | | | | | | | | | | | | | | | | | | |
| * 공칭분출량의 온도조건은 40℃ | | | | | | | | | | | | | | | | | | | | | | | | | | | | | | | | | | | |

제 2012-BL-0013-1 호



안 전 인 증 서

(주)아이엔티코리아

경기도 군포시 당정로60번길 24 (당정동,2층)

위 사업장에서 제조하는 아래의 품목이 「산업안전보건법」 제34조 및 같은 법 시행규칙 제58조의4에 따른 안전인증 심사결과 안전·보건 기준에 적합하므로 안전인증표시의 사용을 인증합니다.

품 목

압력용기 압력방출용 안전밸브

형식·모델/용량·등급/인증번호

| 형식·모델 | 용량·등급 | 인증번호 |
|---------|--------|---------------|
| ISV-08A | GL I 1 | 12-AV2BL-0013 |

인 증 기 준

방호장치 의무안전인증 고시(고용노동부고시 제2010-36호)

인 증 조 건

아래 주소에서 생산되는 제품에 한함.

(주)아이엔티코리아, 경기도 군포시 당정로60번길 22(당정동)

2014년 08 월 07 일



한국산업안전보건공단 이사장

[변경내역]

2012.04.23 : 최초 인증서 발행

2014.08.07 : 본사 주소지 변경에 따른 재발급

제 2012-BL-0021-1 호



안 전 인 증 서

(주)아이엔티코리아

경기도 군포시 당정로60번길 24 (당정동,2층)

위 사업장에서 제조하는 아래의 품목이 「산업안전보건법」 제34조 및 같은 법 시행규칙 제58조의4에 따른 안전인증 심사결과 안전·보건 기준에 적합하므로 안전인증표시의 사용을 인증합니다.

품 목

압력용기 압력방출용 안전밸브

형식·모델/용량·등급/인증번호

| 형식·모델 | 용량·등급 | 인증번호 |
|---------|--------|---------------|
| ISV-15A | GL I 1 | 12-AV2BL-0021 |

인 증 기 준

방호장치 의무안전인증 고시(고용노동부고시 제2010-36호)

인 증 조 건

아래 주소에서 생산되는 제품에 한함.

(주)아이엔티코리아, 경기도 군포시 당정로60번길 22(당정동)

2014년 08 월 07 일



한국산업안전보건공단 이사장

[변경내역]

2012.06.21 : 최초 인증서 발행

2014.08.07 : 본사 주소지 변경에 따른 재발급

제 2012-BL-0031-1 호



안 전 인 증 서

(주)아이엔티코리아

경기도 군포시 당정로60번길 24 (당정동,2층)

위 사업장에서 제조하는 아래의 품목이 「산업안전보건법」 제34조 및 같은 법 시행규칙 제58조의4에 따른 안전인증 심사결과 안전·보건 기준에 적합하므로 안전인증표시의 사용을 인증합니다.

품 목

압력용기 압력방출용 안전밸브

형식·모델/용량·등급/인증번호

| 형식·모델 | 용량·등급 | 인증번호 |
|---------|--------|---------------|
| ISV-20B | GL I 1 | 12-AV2BL-0031 |

인 증 기 준

방호장치 의무안전인증 고시(고용노동부고시 제2010-36호)

인 증 조 건

아래 주소에서 생산되는 제품에 한함.

(주)아이엔티코리아, 경기도 군포시 당정로60번길 22(당정동)

2014년 08 월 07 일



한국산업안전보건공단 이사장

[변경내역]

2012.07.24 : 최초 인증서 발행

2014.08.07 : 본사 주소지 변경에 따른 재발급

JSV-LT12 型 저양정식 안전밸브

LOW LIFT TYPE SAFETY RELIEF VALVE

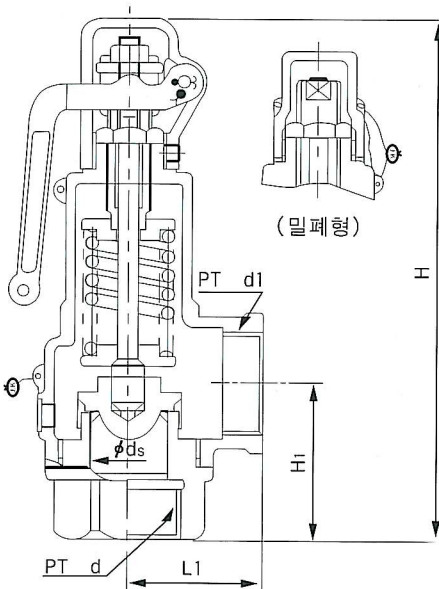


주로 소형 보일러, 각종 압력용기, 계장기기 등의 SAFETY VALVE, 펌프의 RELEIF VALVE로 사용되고 있습니다.

■ 특 징

1. 콤팩트 한 설계로 제작되어 소형, 경량이므로 배관이 용이합니다.
2. 구조가 간단하고 확실한 작동을 하며 보수관리가 용이합니다.
3. 시트와 디스크는 황동단조로 되어 있으며 정밀 가공하여 누설이 없습니다.
4. 조정 스프링은 재료의 최대 허용응력 범위내에서 제작 되었으므로 작동이 확실합니다.
5. 한국산업안전공단에 검정을 필한 제품입니다.

■ 구조도



■ 치수표

Unit:mm

| 기호 규격 | d | ds | L | Hi | H | 양정 l (Lift) | 입 구 Inlet | 출 구 Outlet |
|----------|----|----|----|----|-----|----------------|--------------|---------------|
| 15A | 20 | 21 | 35 | 45 | 142 | 1.0 | PT 1/2" | PT 3/4" |
| 20A | 20 | 21 | 35 | 45 | 144 | 1.0 | PT 3/4" | PT 3/4" |
| 25A | 25 | 26 | 41 | 49 | 155 | 1.7 | PT 1" | PT 1" |
| 32A | 32 | 33 | 45 | 58 | 173 | 2.2 | PT 1 1/4" | PT 1 1/4" |
| 40A | 40 | 41 | 55 | 64 | 198 | 2.3 | PT 1 1/2" | PT 1 1/2" |
| 50A | 50 | 51 | 70 | 74 | 220 | 2.5 | PT 2" | PT 2" |

■ 배출용량은 Page 15를 참조 하십시오.

■ 사 양

| 형 식 | 적 용 유 체 | 적용압력 kgf/cm ² {MPa} | 최 고 온 도 (°C) | 재 질 | | 접 속 | 몸통수압 시 험 |
|-------|-----------|--------------------------------------|-----------------|--------------|-------------|----------------------------|--------------------------------|
| | | | | 본체및주요부 | 덮 개 | | |
| 레 바 형 | 증기, 공기 액체 | 0.35~1.0 {0.035~0.1} | 220 | FORGED BRASS | CAST BRONZE | KS B 0222 관용 테이퍼 나사 규격에 따름 | 22kgf/cm ² {2.2MPa} |
| 밀 폐 형 | | 1.0~2.0 {0.1~0.2} | | | | | |
| | | 2~4 {0.2~0.4} | | | | | |
| | | 4~7 {0.4~0.7} | | | | | |
| | | 7~11 {0.7~1.1} | | | | | |



안 전 인 증 서

조광아이엘아이(주)

부산시 강서구 송정동 1650 - 8번지

위 사업장에서 제조하는 아래의 품목이 「산업안전보건법」 제34조 및 같은 법 시행규칙 제58조의4에 따른 안전인증 심사결과 안전·보건 기준에 적합하므로 안전인증표시의 사용을 인증합니다.

품 목

압력용기 압력방출용 안전밸브

형식·모델/용량·등급/인증번호

| 형식·모델 | | 용량·등급 | 인증번호 |
|-------|--|--------|---------------|
| 기본 | JSV-LT14 | GL I 1 | 09-AV2BL-0024 |
| 동일형식 | JSV-HT41, JSV-LT12 JSV-HF12, JSV-HF13 | | |

인 증 기 준

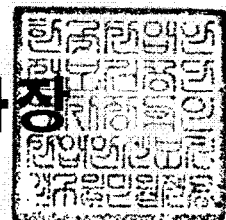
안전장치 의무안전인증 고시(노동부고시 제2008-76호)

인 증 조 건

“부산시 강서구 송정동 1650 - 8번지”에서 생산되는 제품에 한함

2010 년 1 월 4 일

한국산업안전보건공단 이사장



[변경내역]

2009.09.30 : 최초 인증서 발행

2010.01.04 : 안전인증변경 신고(동일형식 추가)에 따른 재발급

5.3,3 PRESSURE GAUGE

ITEM NO : JIN-200-V-2

A. GENERAL SPECIFICATION

- | | |
|------------------------|------------------------------|
| 1) TYPE | : A TYPE (BOURDON TUBE TYPE) |
| 2) MAKE | : MyungSung Hyoda or EQ |
| 3) MODEL NO | : MS-1111 or EQ |
| 4) CONNECTION SIZE | : 1/4" |
| 5) CONNECTION LOCATION | : NOZZLE NO. N3 |
| 6) PRESSURE RANGE | : 0-1.5Mpa |
| 7) DIAL SIZE | : 100 mm |
| 8) ENCLOSURE | : GENERAL TYPE |
| 9) ACCURACY | : $\pm 1.5\%$ of F.S |

B. MATERIAL

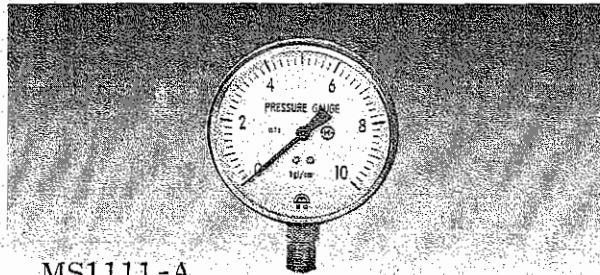
- | | |
|-----------------|----------------|
| 1) CASE & COVER | : CARBON STEEL |
| 2) BOURDON TUBE | : BRASS |
| 3) SOCKET | : CARBON STEEL |
| 4) MOVEMENT | : CARBON STEEL |



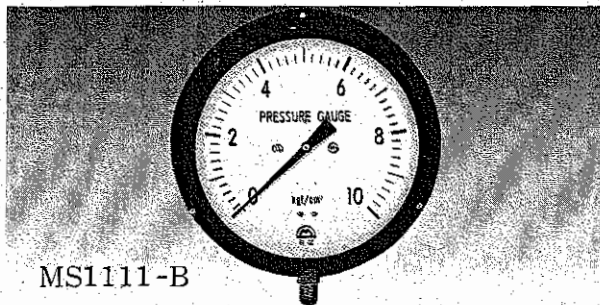
明星計器

일반 압력계 General type pressure gauge

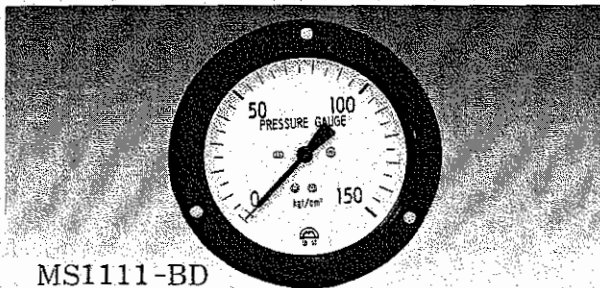
MODEL NO:MS-1100 SERIES



MS1111-A



MS1111-B



MS1111-BD

적용범위(Application)

각종 현장의 일반적인 설비의 압력측정 및 감시용으로 쓰임.

특징(Features)

- 일반적인 압력측정 용으로 가격이 저렴하며, 구매 사용이 매우 손쉽다.
- 압력크기 외형사이즈 등 모든 사양이 다양하며, 비교적 정확한 측정을 할수 있다.

표준사양(Standard specifications)

| Model No | Dial size | Case | 상 용 압 력 | Screw | Accuracy |
|----------|-----------|-------|---|--------------|----------|
| MS-1111 | 40 φ | A, D | 0 ~ 1 kgf/cm ² 0 ~ 350 kgf/cm ² | PF. 1/4, 3/8 | ± 1.5 % |
| | 50 φ | | | | |
| | 60 φ | A, BD | | | ± 3.0 % |
| | 75 φ | | | | |
| | 100 φ | | | | |
| | 150 φ | A | | | |
| 200 φ | B | | | | |

6. STRENGHT CALCULATION

ITEM NO : JIN-200-V-2

| No | DESCRIPTION | PAGE | REMARK |
|----|------------------------|------|--------|
| 1 | SHELL CALCULATION | | |
| 2 | HEAD CALCULATION | | |
| 3 | SKIRT CALCULATION | | |
| 4 | LIFTING CALCULATION | | |
| 5 | NOZZLE PAD CALCULATION | | |

6.1 SHELL THICKNESS CALCULATION

===== DESIGN CONDITION =====

| | | | |
|--|------|--------|-------------------|
| DESIGN PRESSURE | : P | 0.98 | Mpa |
| DESIGN TEMPERATURE | : T | 75 | °C |
| INSIDE RADIUS (CORRODED) | : R | 235.00 | mm |
| EQUIPMENT MATERIAL | : | SS275 | |
| JOINT EFFICIENCY(CIRCUMFERENTIAL STRESS) | : E | 0.70 | |
| JOINT EFFICIENCY(LONGITUDINAL STRESS) | : E | 0.65 | |
| ALLOWABLE STRESS | : S | 114.00 | N/mm ² |
| CORROSION ALLOWANCE | : α | 1.00 | mm |
| MIN. SHELL THICKNESS(THE GREATER OF tc1,tc2) | : Tc | 3.90 | mm |
| USED SHELL THICKNESS | : ta | 5.00 | mm |
| MAX' ALLOWABLE WORKING PRESSURE | : Pa | 1.345 | Mpa |

6.1.1 MIN. CALCULATED SHELL THICKNESS(CIRCUMFERENTIAL STRESS) : Tc1

$$T_{c1} = \frac{P \times R}{S \times E - 0.6 \times P} + \alpha$$

$$= \frac{0.98 \times 235}{114 \times 0.7 - 0.6 \times 0.98} + 1 = 3.90 \text{ mm}$$

6.1.2 MIN. CALCULATED SHELL THICKNESS(LONGITUDINAL STRESS) : Tc2

$$T_{c2} = \frac{P \times R}{2 \times S \times E + 0.4 \times P} + \alpha$$

$$= \frac{0.98 \times 235}{114 \times 2 \times 0.65 + 0.4 \times 0.98} + 1 = 2.54 \text{ mm}$$

 USED THICKNESS : 5.00 mm

6.1.3 MAX' ALLOWABLE WORKING PRESSURE : Pa

$$P_a = \frac{S \times E \times (t_a - \alpha)}{R + 0.6 \times (t_a - \alpha)}$$

$$= \frac{114 \times 0.7 \times (5 - 1)}{235 + 0.6 \times (5 - 1)} = 1.345 \text{ Mpa}$$

6.2 ELLIPSE HEAD THICKNESS CALCULATION

===== DESIGN CONDITION =====

| | | |
|---------------------------------|------|--------------------------|
| DESIGN PRESSURE | : P | 0.98 Mpa |
| DESIGN TEMPERATURE | : T | 75 °C |
| INSIDE DIAMETER (CORRODED) | : D | 468.0 mm |
| EQUIPMENT MATERIAL | : | SS275 |
| JOINT EFFICIENCY | : E | 0.85 |
| ALLOWABLE STRESS | : S | 114.00 N/mm ² |
| CORROSION ALLOWANCE | : α | 1.00 mm |
| MIN. SHELL THICKNESS | : Tc | 3.36 mm |
| USED SHELL THICKNESS | : ta | 5.00 mm |
| MAX' ALLOWABLE WORKING PRESSURE | : Pa | 1.65 Mpa |

6.2.1 MIN. CALCULATED HEAD THICKNESS : Tc

$$T_c = \frac{P \times D}{2 \times S \times E - 0.2 \times P} + \alpha$$

$$= \frac{0.98 \times 468}{2 \times 114 \times 0.85 - 0.2 \times 0.98} + 1 = 3.36 \text{ mm}$$

| | | |
|--------------------|---|---------|
| USED THICKNESS | : | 5.00 mm |
| AFTER FORMING TH'K | : | 4.25 mm |

6.2.2 MAX' ALLOWABLE WORKING PRESSURE : Pa

$$P_a = \frac{2 \times S \times E \times (t_a - \alpha)}{D - 0.2 \times (t_a - \alpha)}$$

$$= \frac{2 \times 114 \times 0.85 \times (5 - 1)}{468 + 0.2 \times (5 - 1)} = 1.65 \text{ Mpa}$$

6.3 FIBER ELOGATION CHECK

6.3.1 DESIGN CONDITIONS

| | | |
|---------------------------------------|------|-----------|
| CURVATURE | : | SHELL |
| THICKNESS OF SHELL | : t | 5.00 mm |
| INSIDE DIAMETER OF VESSEL | : D | 468.00 mm |
| FINAL CENTER LINE RADIUS (D/2 + t/2) | : Rf | 236.50 mm |
| ORIGINAL CENTER LINE RADIUS | : Ro | ∞ mm |

6.3.2 EXTREME FIBER ELOGATION IS MORE THAN 5%,
HEAT TREATMENT IS REQUIRED ANY OF THE FOLLOWING CONDITIONS

| | | |
|---------------------------------------|---|----|
| 1) CONTAIN LETHAL SUBSTANCE | : | NO |
| 2) IMPACT TEST REAUINED MATERIAL | : | NO |
| 3) THICKNESS EXCEED 16mm | : | NO |
| 4) FORMING REDUCTION MORE THAN 10% | : | NO |
| 5) FORMIG TEMP. RANGE 120 - 480 Deg.C | : | NO |

FOR P-NO.1 GROUP NOS.1 AND 2 MATERIALS THE EXTREME FIBER ELONGATION MAY BE AS GREATER AS 40% WHEN NONE OF THE CONDATIONS. LISTED ABOVE IN (1) THROUGH (5) EXIST.

6.3.3 DETERMINED EXTREME FIBER ELOGATION

$$(50t / Rf) \times (1 - Rf / Ro) = 1.06 \% < 5.0 \%$$

* THEREFORE, HEAT TREATMENT IS NOT REQUIRED

6.4 FIBER ELOGATION CHECK

6.4.1 DESIGN CONDITIONS

| | | |
|---|------|-------------|
| CURVATURE | : | HEAD |
| THICKNESS OF SHELL | : t | 5.00 mm |
| INSIDE DIAMETER OF VESSEL | : D | 468.00 mm |
| FINAL CENTER LINE RADIUS ($0.1727xD + t/2$) | : Rf | 83.32 mm |
| ORIGINAL CENTER LINE RADIUS | : Ro | ∞ mm |

6.4.2 EXTREME FIBER ELOGATION IS MORE THAN 5%,
HEAT TREATMENT IS REQUIRED ANY OF THE FOLLOWING CONDITIONS

| | | |
|---------------------------------------|---|-----|
| 1) CONTAIN LETHAL SUBSTANCE | : | NO |
| 2) IMPACT TEST REAUINED MATERIAL | : | NO |
| 3) THICKNESS EXCEED 16mm | : | NO |
| 4) FORMING REDUCTION MORE THAN 10% | : | YES |
| 5) FORMIG TEMP. RANGE 120 - 480 Deg.C | : | NO |

FOR P-NO.1 GROUP NOS.1 AND 2 MATERIALS THE EXTREME FIBER ELONGATION MAY BE AS GREATER AS 40% WHEN NONE OF THE CONDATIONS. LISTED ABOVE IN (1) THROUGH (5) EXIST.

6.4.3 DETERMINED EXTREME FIBER ELOGATION

$$(75t / Rf) \times (1 - Rf / Ro) = 4.50 \% < 5.0 \%$$

* THEREFORE, HEAT TREATMENT IS NOT REQUIRED

6.5 SKIRT CALCULATION SHEET

6.5.1 DESIGN CONDITIONS

| | | | |
|---|-------|---------|------------------|
| DESIGN PRESSURE | : P | 0.98 | Mpa |
| SHAPE FACTOR | : Ce | 0.70 | |
| EARTHQUAKE FACTOR | : F | 0.37 | |
| DESIGN TEMPERATURE | : T | 75.00 | °C |
| SHELL THICKNESS | : t | 5.00 | mm |
| SHELL OUT DIAMETER(Di+2t) | : Do | 478.00 | mm |
| TOTAL HEIGHT OE VESSEL | : Lt | 1442.00 | mm |
| HEIGHT OF VESSEL CENTER LINE TO BASE | : Hv | 802.00 | mm |
| OPERATING WEIGHT OF VESSEL | : W | 784.00 | N |
| SECTION AREA OF VESSEL A = Do ² x Lt | : A = | 1.55 | m ² |
| Do1= (Di+ts+α)x1.2= (0.468 + 0.005 + 0.001) x 1.2 | = | 0.57 | m |
| Do2= (Di+ts+α)+0.6= (0.468 + 0.005 + 0.001) + 0.6 | = | 1.07 | m |
| WIND SPEED PRESSURE(45m/sec)-TABLE 5-3 REFFERENCE | : Qs | 1226.00 | N/m ² |
| MAXIMUM MOMENT | : M | 1481.65 | N.m |
| ECCENTRIC MOMENT | : Me | 0.00 | N.m |

※ SKIRT CONDITIONS

| | | | |
|---------------------------------------|-------|-----------|-------------------|
| MODEL MEAN DIAMETER(Dm+ts+α) | : Dm | 392.00 | mm |
| SKIRT INSIDE DIAMETER | : Ds | 388.00 | mm |
| OPENING WIDTH | : Y | 100.00 | mm |
| OPENING HOLE Q'TY | : N1 | 3.00 | EA |
| THICKNESS | : ts | 4.00 | mm |
| MATERIAL | : | SS275 | |
| DESIGN TEMPERATURE - ALLOWABLE STRESS | : Suo | 114.00 | N/mm ² |
| - YIELD POINT | : Syo | 230.00 | N/mm ² |
| - ELASTIC MEDULUS | : Eo | 208000.00 | N/mm ² |
| AMB. TEMPERATURE - ALLOWABLE STRESS | : Su | 114.00 | N/mm ² |
| - YEILD POINT | : Sy | 230.00 | N/mm ² |
| - ELASTIC MODULUS | : E | 208000.00 | N/mm ² |

※ BASE PLATE CONDITIONS

| | | | |
|-------------------------------|-------|--------|-------------------|
| WIDTH (LARGE SIZE) | : D3 | 520.00 | mm |
| WIDTH (SMALL SIZE) | : D1 | 388.00 | mm |
| LARGE WIDTH OF INNER OR COTER | : l | 64.00 | mm |
| THICKNESS | : tp | 6.00 | mm |
| MATERIAL | : | SS275 | |
| ALLOWABLE STRESS | : Sup | 114.00 | N/mm ² |
| YIELD POINT | : Syp | 230.00 | N/mm ² |

※ ANCHOR BOLT CONDITIONS

| | | | |
|---|--------|--------|-------------------|
| BOLT CIRCLE DIAMETER | : BCD | 460.00 | mm |
| BOLT Q'TY | : N | 3.00 | EA |
| BOLT HOLE SIZE | : d | 15.00 | mm |
| USE BOLT SIZE | : UBS | 12.00 | mm |
| EFFECTIVE DIAMETER | : di | 10.11 | mm |
| MATERIAL | : | SS275 | |
| YIELD POINT | : Syb | 120.00 | N/mm ² |
| ALLOWABLE DURABILITY OF CONCRETE(1.2kgf/mn ² x9.8) | : fcon | 11.76 | N/mm ² |

6.5.2 MAXIMUM MOMENT CALCULATION (M)

2.1 WIND LOAD, F_w

$$F_w = C_e \times C_q \times Q_s \times I_w \times A = 0.7 \times 1.39 \times 1226 \times 1 \times 1.55 = 1847.45$$

2.2 WIND MOMENT, F_{mw}

$$F_{mw} = F_w \times H_v = 1847.45 \times 0.802 = 1481.65 \text{ N.m}$$

2.3 SEISMIC LOAD, F_s

$$F_s = W \times F = 784 \times 0.37 = 290.08 \text{ N}$$

2.4 SEISMIC MOMENT, F_{ms}

$$F_{ms} = F_s \times H_v = 290.08 \times 0.802 = 232.64 \text{ N.m}$$

2.5 MAXIMUM MOMENT, M

$$M = \text{The larger value of } F_{mw} = 1481.65 \text{ N.m}$$

6.5.3 SKIRT CALCULATION

3.1 ALLOWABLE COMPRESSION STRESS

$$\sigma_a = \frac{0.3 \times E_o \times t_s}{\{1 + 0.004 \times (E_o/S_y)\} \times D_m}$$

$$= \frac{0.3 \times 208000 \times 4}{\{1 + 0.004 \times (208000/230)\} \times 392} = 137.89 \text{ N/mm}^2$$

3.2 VERTICAL LOAD PER CIRCUMFERENCE

3.2.1 LOAD STRESS

$$\sigma_w = \frac{W}{\pi \times D_m \times (t_s - \alpha) - (Y \times N_1) \times (t_s - \alpha)}$$

$$= \frac{784.00}{\pi \times 392 \times (4 - 0) - (100 \times 3) \times (4 - 0)} = 0.21 \text{ N/mm}^2$$

3.2.2 BUCKLING LOAD

$$\sigma_b = \pm \frac{1000 \times M}{Z} = \pm \frac{1000 \times 1481.65}{404,349.694} = \pm 3.66 \text{ N/mm}^2$$

$$Z = \frac{I}{D_m/2} = \frac{\pi D_m^2 t_s}{4} - \frac{D_m Y t_s}{2}$$

$$= \frac{\pi \times 392^2 \times 4}{4} - \frac{392 \times 100 \times 4}{2} = 404349.69 \text{ mm}^3$$

3.2.3 COMPRESS STRESS

$$\sigma_p = \frac{P \times D_m}{400 \times t_s} = \frac{0.98 \times 392}{400 \times 4} = 0.24 \text{ N/mm}^2$$

$$\ast \text{ NON-INTERNAL COMPRESS} = 0.00 \text{ N/mm}^2$$

3.3 COMPOSITE COMPRESSION STRESS OF SKIRT

3.3.1 COMPOSITION TENSILE STRESS

$$\sigma_t = \sigma_p - \sigma_w + \sigma_b = 0.24 - 0.21 + 3.66 = 3.69 \text{ N/mm}^2$$

$$\begin{aligned} \text{** RESULT } \sigma_t &\leq \delta f : 3.69 \text{ N/mm}^2 \leq 109.76 \text{ N/mm}^2 && \text{-----OK !} \\ \text{ALLOWABLE STRESS (} \delta f &= 16\text{kgf/mm}^2 \times \eta \times 9.8) && = 109.76 \text{ N/mm}^2 \end{aligned}$$

3.3.2 COMPOSITION COMPRESSION STRESS

$$\sigma_c = -\sigma_p + \sigma_w + (\sigma_b/\text{SQRT}(2)) = -0.24 + 0.21 + (3.66/\text{SQRT}(2)) = 2.56 \text{ N/mm}^2$$

$$\text{** RESULT } \sigma_c \leq \sigma_a : 2.56 \text{ N/mm}^2 \leq 137.89 \text{ N/mm}^2 \text{-----OK !}$$

6.5.4 ANCHOR BOLT AND PLATE CALCULATION

4.1 ALLOWABLE TENSILE STRESS OF ANCHOR BOLT(NON-INTERNAL TENSILE) (fb)

$$f_b = 16\text{kgf/mm}^2 \times 9.8 = 156.80 \text{ N/mm}^2$$

4.2 TENSILE STRESS OF ANCHOR BOLT AND RESULT

4.2.1 SECTION AREA (A)

$$A = \pi \times d_i^2 / 4 = \pi \times 10.106^2 / 4 = 80.21 \text{ mm}^2$$

4.2.2 TENSILE STRESS (Sb)

$$\begin{aligned} S_b &= \frac{1}{N \times A} \times \left\{ \frac{4000 \times M}{BCD} - W \right\} \\ &= \frac{1}{3 \times 80.214} \times \left\{ \frac{4000 \times 1481.65}{460.0} - 784 \right\} = 50.28 \text{ N/mm}^2 \end{aligned}$$

$$\text{** RESULT } S_b \leq f_b : 50.28 \text{ N/mm}^2 \leq 156.8 \text{ N/mm}^2 \text{-----OK !}$$

4.3 BENDING STRESS OF BASE PLATE

4.3.1 SECTION AREA (A1)

$$A_1 = 0.7854 \times (D_3^2 - D_1^2) = 115,020.26 \text{ mm}^2$$

4.3.2 SECTION MODULS (Z1)

$$Z_1 = \pi (D_3^4 - D_1^4) / 32 \times D_3 = 5,730,248.48 \text{ mm}^3$$

4.3.3 COMPRESSION LOAD (B)

$$\begin{aligned} B &= [1000 \times (M + M_e) / Z_1] + (W / A_1) \\ &= [1000 \times (1481.65 + 0) / 5730248.48] + (784 / 115020.2592) = 0.26 \text{ N/mm}^2 \end{aligned}$$

$$\text{** RESULT } B \leq f_{con} : 0.26 \text{ N/mm}^2 \leq 11.76 \text{ N/mm}^2 \text{-----OK !}$$

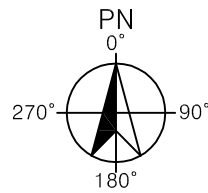
4.3.4 BASE PLATE ALLOWABLE STRESS (Bp)

$$B_p = (3 \times l^2 \times B) / t_p^2 = (3 \times 64^2 \times 0.26) / 6^2 = 88.75 \text{ N/mm}^2$$

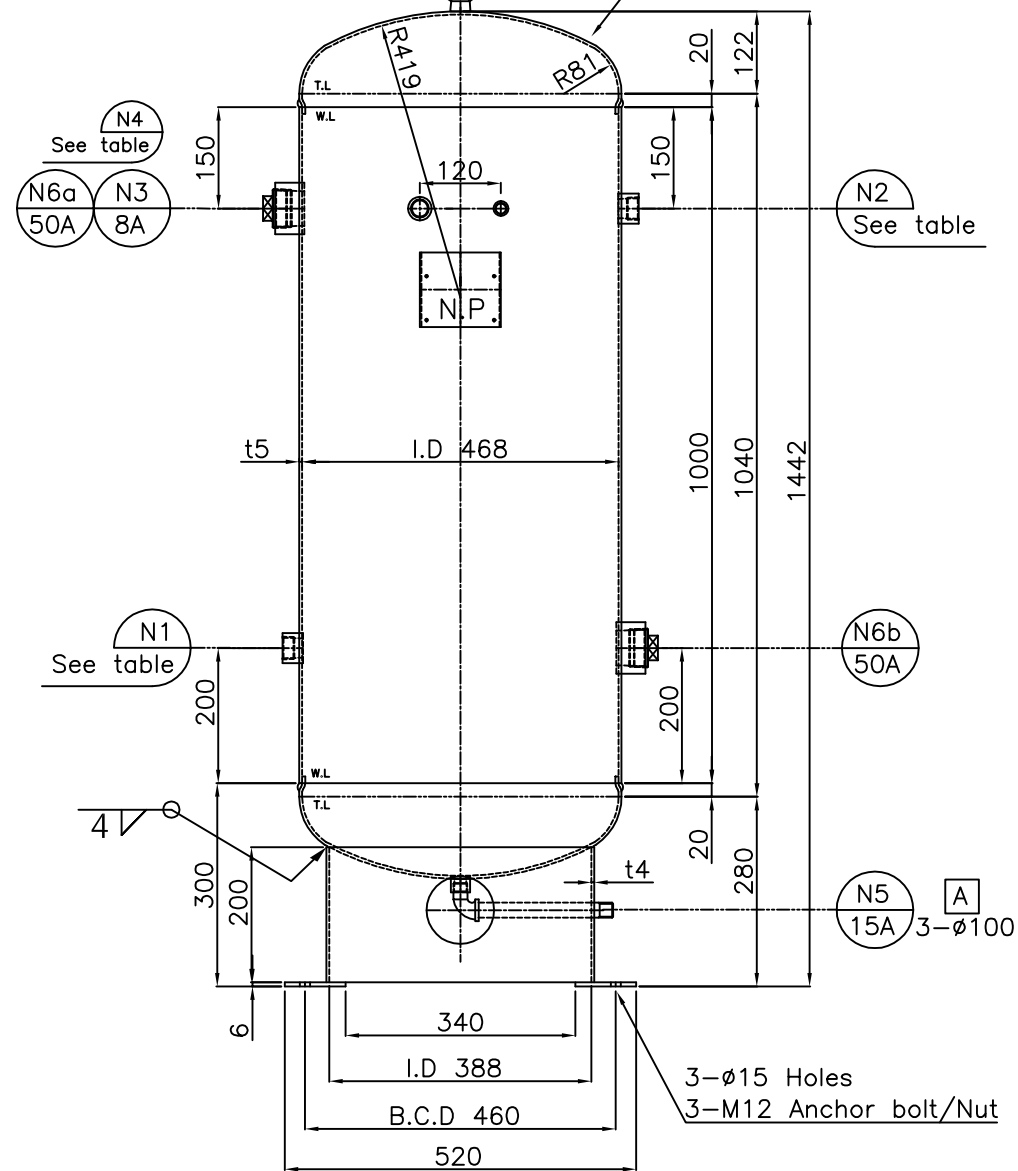
7. DRAWING

ITEM NO : JIN-200-V-2

| No | DESCRIPTION | DRAWING NO | REMARK |
|----|------------------------|--------------|--------|
| 1 | ASSEMBLY DETAIL DWG. | J2111200V-01 | |
| 2 | NOZZLE DETAIL DWG. | J2111200V-02 | |
| 3 | NAME PLATE DETAIL DWG. | J2111200V-03 | |



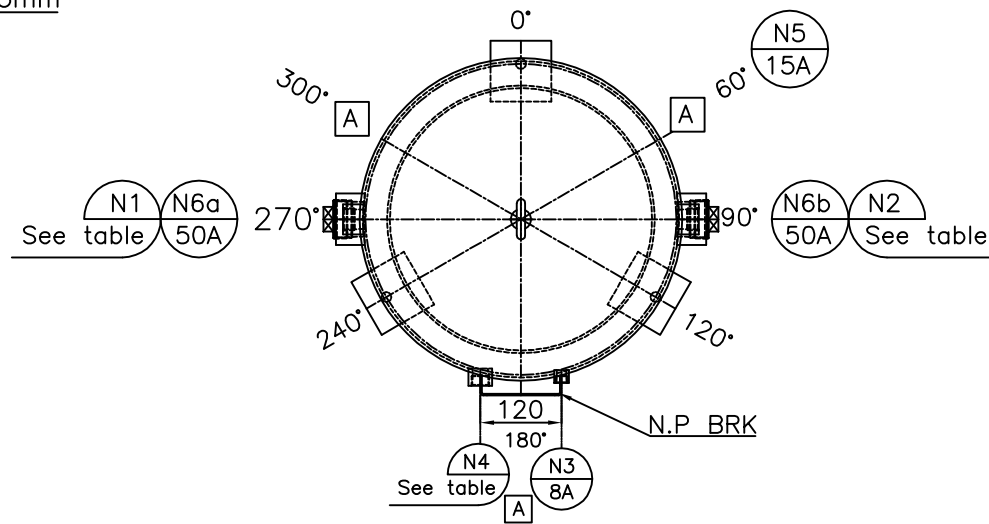
EYE NUT (M16-450Kg)
 2:1 Approx. Ellipsoidal head(T&B)
 Used thickness : 5mm
 After forming thickness : 4.25mm



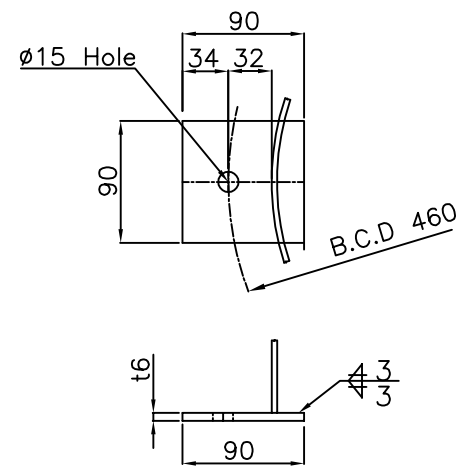
TABLE

| N1/N2 | 8A | 10A | 15A | 20A | 25A | 32A | 40A | 50A | INLET/OUTLET |
|-------|----|-----|-----|-----|-----|-----|-----|-----|--------------|
| N4 | 8A | 8A | 8A | 15A | 15A | 20A | 20A | 32A | P.S.V |

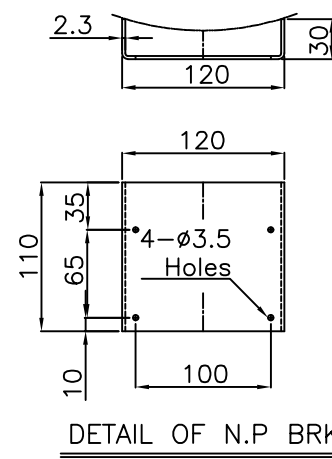
ELEVATION



NOZZLE ORIENTATION



DETAIL OF BASE PLATE



DETAIL OF N.P. BRK

VESSEL DESIGN DATA

| | | | | |
|---------------------------------|-------------------|-----------------------|--------------------|---------------|
| CODE : | KS B 6750-3 | REGULATION : | KOSHA | |
| FLUID NAME | AIR | TYPE | VERTICAL | |
| DESIGN PRESSURE (INT./EXT.) | 0.98 MPa | WIND VELOCITY (m/sec) | 45 (ASCE 7-02) | |
| DESIGN TEMPERATURE | 75 °C | SEISMIC ZONE FACTOR | ZONE 2A (UBC97) | |
| OPERATING PRESSURE (INT./EXT.) | 0.88 MPa | INSULATION | NO | |
| OPERATING TEMPERATURE | 40 °C | FIRE PROOFING | NO | |
| HYDRO. TEST PRESS | 1.27 MPa | P.W.H.T | NO | |
| CORROSION ALLOWANCE | 1.0 mm | IMPACT TEST | NO | |
| RADIOGRAPHY | SHELL | NO | WEIGHT | |
| | HEAD | SEAMLESS | | ERECTION (Kg) |
| | SHELL TO HEAD | NO | | EMPTY (Kg) |
| JOINT EFFICIENCY (SHELL / HEAD) | 0.7-0.85 / 0.85 | OPERATING (Kg) | 80 | |
| M.D.M.T | -20°C at 0.98 MPa | FULL OF WATER (Kg) | 280 | |
| M.A.W.T | 0.98 MPa at 75°C | BULK DENSITY | - | |
| | | CAPACITY | 0.2 M ³ | |

NOZZLE TABLE

| MARK | REQ'D NO. | SIZE | CONNECTION RATING | TYPE | FACE | SERVICE | SCH.NO | PROJECTION FM VESSEL C.L |
|------|-----------|-----------|-------------------|------|--------|----------------|--------|--------------------------|
| N1 | 1 | See Table | CL.3000 | HALF | COUP'G | INLET | - | SEE DWG. |
| N2 | 1 | See Table | CL.3000 | HALF | COUP'G | OUTLET | - | SEE DWG. |
| N3 | 1 | 8A | CL.3000 | HALF | COUP'G | P.G | - | SEE DWG. |
| N4 | 1 | See Table | CL.3000 | HALF | COUP'G | P.S.V | - | SEE DWG. |
| N5 | 1 | 15A | CL.3000 | HALF | COUP'G | DRAIN | - | SEE DWG. |
| N6ab | 2 | 50A | CL.3000 | HALF | COUP'G | INSPECTOR HOLE | - | SEE DWG. |
| A1-3 | 3 | ø100 | - | - | - | ACCESS HOLE | - | SEE DWG. |

NOTES

- ALL DIMENSIONS ARE IN MILLIMETERS UNLESS OTHERWISE NOTED.
- SURFACE PREPARATION & PAINTING SPEC. : (C.S PART ONLY)
 - INTERNAL PART : EPOXY PRIMER 30 µm
 - EXTERNAL PART

| SURFACE PREPARATION | PRIMER | INTERMEDIATE COAT | FINAL COAT | COLOR |
|---------------------|------------|-------------------|------------|--------------|
| - | (-) -µm | (-) -µm | (-) -µm | SEE NOTE *3* |

3. PAINTING COLOR

- TANK : -

FOR APPROVAL

| |
|------------|
| REQ'D Q'TY |
| - SET |

| REV. | DATE | DRN. | REVD. | APPR. | DESCRIPTION |
|------|------|------|-------|-------|-------------|
| | | | | | |
| | | | | | |
| | | | | | |

| | |
|--------------|--|
| CLIENT | |
| CONTRACTOR | |
| MANUFACTURER | |

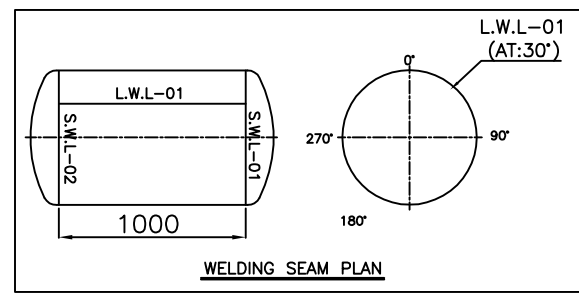
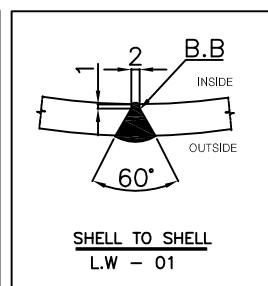
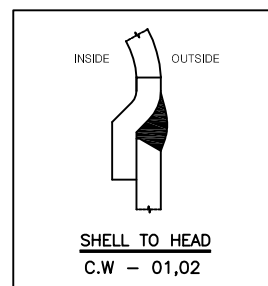
JINWOO
 JINWOO MACHINERY CO.,LTD. KOREA

| | | | | | |
|---------|--|------------|------------|-------|--|
| PROJECT | | JOB NO. | - | TITLE | JIN-200-V-2 |
| | | P/S NO. | - | | AIR RECEIVER TANK (0.2m ³) |
| | | UNIT NO. | - | | ASSEMBLY DETAIL DWG. |
| | | SCALE | 1 / 1 | | |
| | | STATUS | | | |
| | | DATE | 2021.11.20 | | |
| | | DRAWN | DGN'D | CHK'D | APP'D |
| | | DWG. NO. : | | | J2111200V-01 |

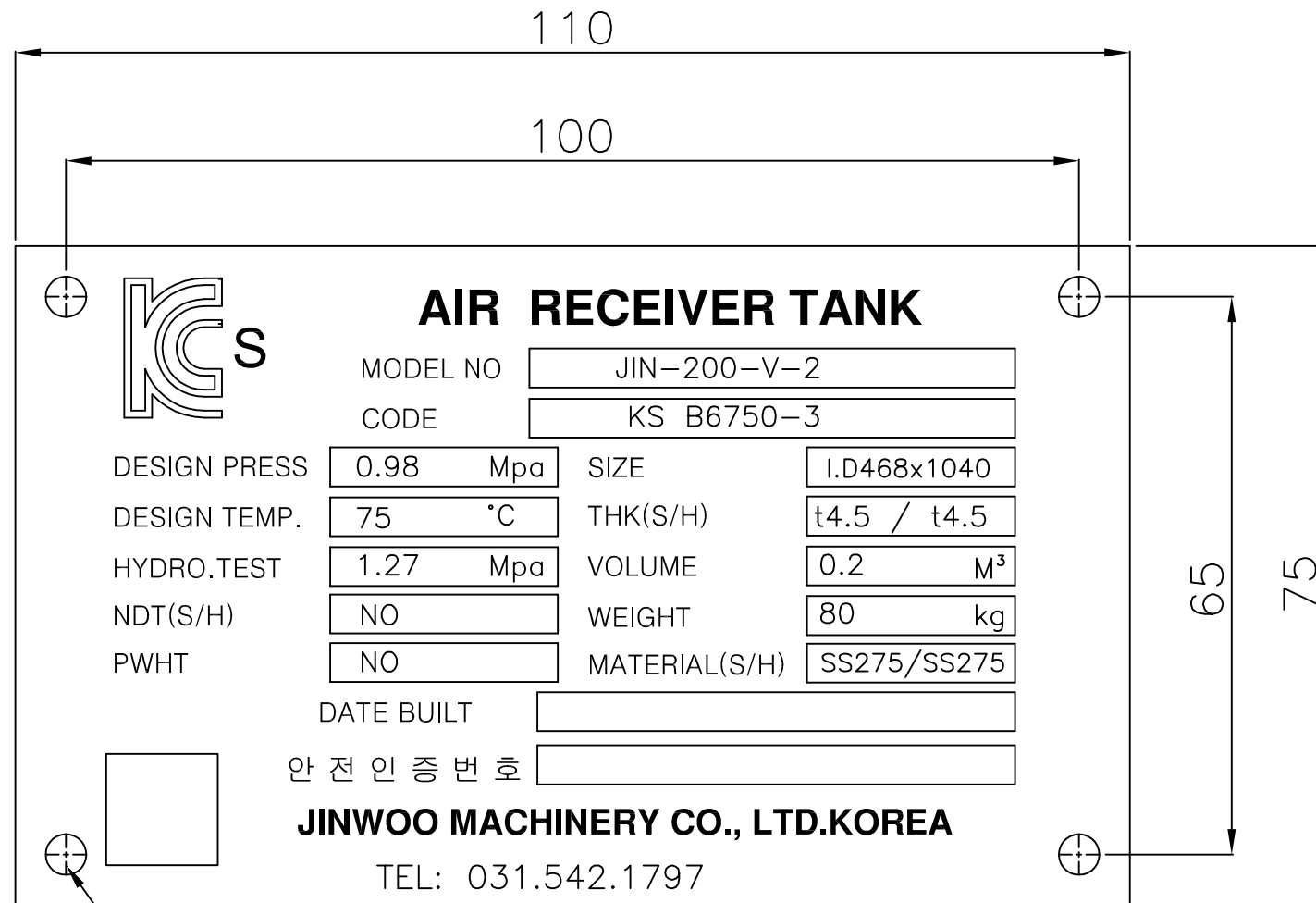
| DOCUMENT STATUS | |
|----------------------------|--|
| <input type="checkbox"/> 1 | : APPROVED |
| <input type="checkbox"/> 2 | : APPROVED WITH COMMENTS WORK MAY PROCEED SUBJECT TO INCORPORATION OF COMMENTS |
| <input type="checkbox"/> 3 | : REVISE AND RESUBMIT WORK MAY NOT PROCEED |
| <input type="checkbox"/> 4 | : RECORD ONLY |
| NOTE : | |
| REVIEW DATE : | ENGINEER |
| | LEAD ENGINEER |

| MATERIAL SPECIFICATION | |
|------------------------|--------------|
| SHELL | SS275 |
| REINF. PAD | SS275 |
| BASE PLATE | SS275 |
| FITTING | A105 |
| FLANGE | - |
| NOZZLE NECK | - |
| BOLT/NUT | SS275 |
| NAME PLATE | ALUMINIUM |
| EARTH LUG | - |
| LADDER | - |
| VORTEX BREAKER | - |
| STIFFENER | - |
| HEAD | SS275 |
| SKIRT or LEG SUPPORT | SS275 |
| LIFTING LUG | EYE NUT |
| NECK PLATE | - |
| BLIND FLANGE | - |
| COVER PLATE | - |
| GASKET | SEE NOTE *6* |
| NAME PLATE BRACKET | SS275 |
| ANCHOR BOLT/NUT | SS275 |
| PLATFORM | - |
| INSULATION SUPPORT | - |
| INTERNAL RUNG | - |

THE DRAWING AND ALL DESIGN DETAILS, INVENTIONS OR DEVELOPMENTS COVERED THEREBY ARE CONFIDENTIAL AND THE EXCLUSIVE PROPERTY OF JINWOO MACHINERY CO., LTD. ANY UNAUTHORIZED REPRODUCTION OR DISSEMINATION OF THIS DOCUMENT IS STRICTLY PROHIBITED.



| NO. | Q'TY | PART NO. | NOMENCLATURE | MATERIAL | | SPECIFICATION |
|-----|------|----------|--------------|----------|------|---------------|
| | | | | KS | ASTM | |



4-ø3.5 Holes

| △ | | | | | |
|---|------------|--------------------------------|-------|---------------------|-------------|
| △ | | | | | |
| △ | | | | | |
| △ | - | - | - | - | - |
| △ | - | - | - | - | - |
| REV. | DATE | DRN. | REVD. | APPR. | DESCRIPTION |
| CLIENT | | | | | |
| CONTRACTOR | | | | | |
| MANUFACTURER | | | | | |
| JINWOO JINWOO MACHINERY CO.,LTD. KOREA | | | | | |
| PROJECT | | | | | |
| JOB NO. | - | TITLE | | | |
| P/S NO. | - | JIN-200-V-2 | | | |
| UNIT NO. | | AIR RECEIVER TANK (0.2m3) | | | |
| SCALE | 1 / 1 | NAME PLATE DETAIL DWG. | | | |
| STATUS | | | | | |
| DATE | 2021.11.15 | | | | |
| DRAWN | DGN'D | CHK'D | APP'D | DWG. NO. : | |
| T.W.J | Y.W.L | W.G.J | - | J2111200V-03 | |
| | | | | | REV. 0 |

사용방법 설명서

형식번호 : JIN-200-V-2

제품명 : AIR RECEIVER TANK

주 소 : 경기도 포천시 가산면 마전리 429-13

연 락 처 : 031) 542-1797

F A X : 031) 542-1796

작 성 일 : 2021. 11. 25.

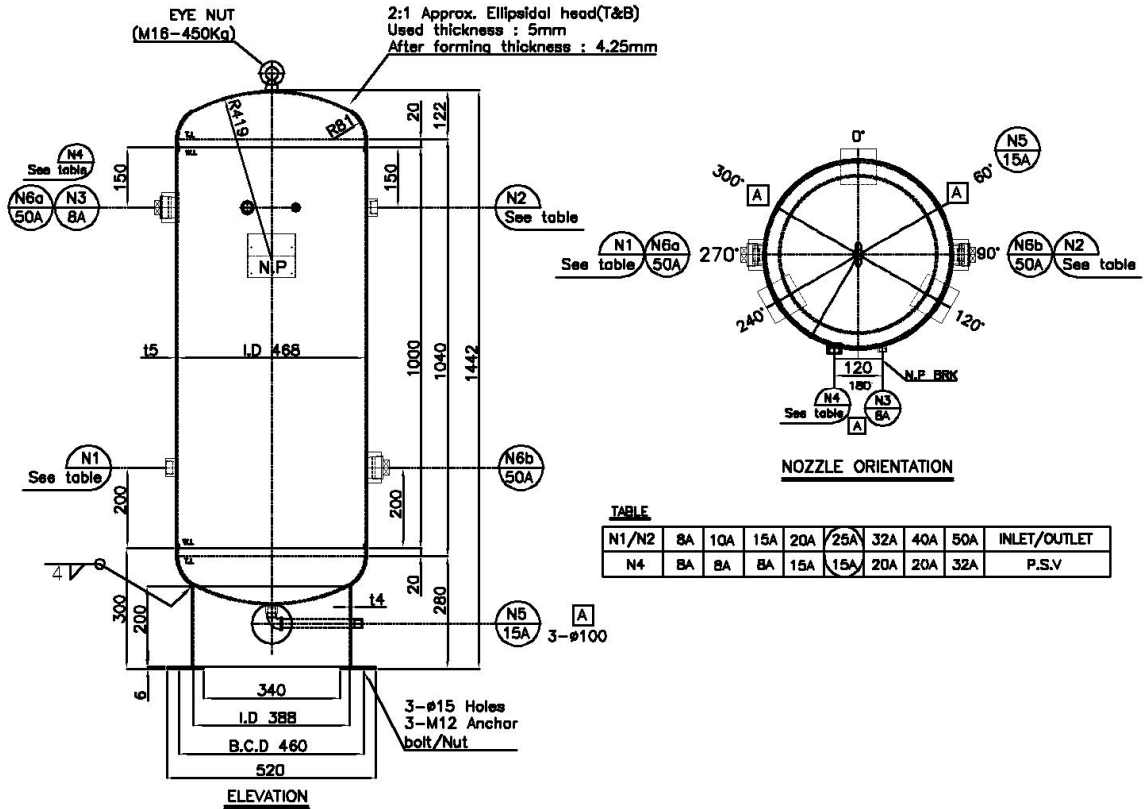
Rev.NO. : 1

진 우 기 체

목 차

1. 외 관 개 략 도
2. 설 계 조 건
3. 제 품 의 개 요
4. 운 반 및 설 치
5. 운 전 및 보 수 , 유 지
6. 수 리
7. 수 압 시 험
8. 안 전 과 환 경
9. NAME PLATE에 표 기 한 사 항
10. 사 용 자 교 육
11. 책 임

1. 외관 개략도



2. 설계조건

| ITEM NO | JIN-200-V-2 | | CODE | KS B 6750-3 | |
|---------|----------------------------|-----|---------------|-------------|---------------------------|
| 순번 | 항 목 | | 설 명 | | |
| 1 | 용 량 | | 0.2 | | m ³ |
| 2 | 사용유체명 | | AIR | | |
| 3 | 설 계 | 압 력 | P= | 0.98 / 9.99 | Mpa / Kgf/cm ² |
| | | 온 도 | T= | 75 | °C |
| 4 | 운 전 | 압 력 | P= | 0.88 / 8.97 | Mpa / Kgf/cm ² |
| | | 온 도 | T= | 40 | °C |
| 5 | 동체의 내경 | | Di= | 468 | mm |
| 6 | 부식여유 | | α= | 1.0 | mm |
| 7 | 방사선투과검사 (SH/HD) | | NO | | |
| 8 | 후 열처리 | | NO | | |
| | | | SHELL/HEAD | SUPPORT | ANCHOR BOLT |
| 9 | 사용재질 | | SS275 / SS275 | SS275 | SS275 |
| 10 | 허용응력 (N/mm ²) | | 114 / 114 | 114 | 61 |
| 11 | 중 량 (Kgf) | | 기 준 | 운 전 | 완 수 |
| | | | 80 | 80 | 280 |
| 12 | 두께 (동체/경판) | 사 용 | 5.0 / 5.0 | | |
| | | 최 소 | 3.9 / 3.36 | | |

3. 제품의 개요

1) 제품의 기능 및 성능

- 본 용기는 설계압력 0.98 Mpa(9.99Kgf/cm²), 설계온도 75.0℃로 설계제작 되었고 사용재질은 SS275/SS275으로 제작된 VERTICAL TYPE 용기이다.

- 본 용기는 용기류 압력용기에서 압축된 공기를 저장하고 분배하여 공기를 후단에 분배 공급한다.

2) 제품의 구성품

- ① SAFETY VALVE
- ② PRESSURE GAUGE
- ③ TEMPERATURE GAUGE
- ④ LEVEL GAUGE
- ⑤ PLATFORM & LADDER

위 구성품은 용도상 설치 또는 미설치 할 수도 있음.

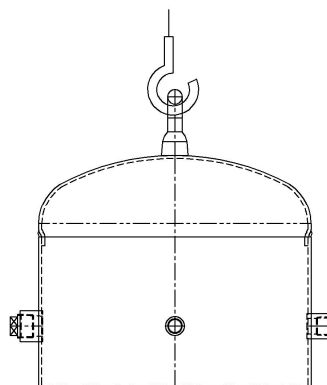
단, SAFETY VALVE는 용기에 미설치 시 배관상 에라도 차단밸브를 사용하지 않고 꼭 설치 하여야 한다. 이를 설치하지 않아 발생하는 문제는 제조사에 책임을 물을 수 없다.

4. 운반 및 설치

1) 운반

- 제품 하차 시 반드시 LIFTING LUG를 사용하여 아래와 같이 하차하여야 한다.
- NOZZLE이나 기기의 부품을 이용하여 하차하여서는 않된다.
- 하차 후 설치 시 까지 용기는 외부의 충격으로 도장 및 방청이 파손되지 않도록 보관하여야 한다.

적용 예)



2) 설치

- 기초는 지질이나 주위 조건에 적합하도록 조사 후 시공하십시오.
- 설치 고정은 ANCHOR BOLT 및 SETTING BOLT의 NUT 체결순서는 대각 방향을 기준하여 완전히 조인다.
- 도면의 NOZZLE ORIENTATION(노즐방향)에 맞게 설치한다.
- 배관은 지정된 SIZE를 사용하며 내부는 완전히 FLUSHING하여 조립한다.
- 설치 전 포장이 완전히 제거 되었는지 확인하다.
- 기기 하부에 설치된 EARTH LUG에 접지를 설치한다.

5. 운전 및 유지 , 보수

1) 운전

- 설치 후 시운전 시작 전 용기 내에 이물질이 없는지 확인한다.
- 운전은 설계압력과 설계온도에 맞춰 운전 되어져야 한다.
- 설계조건보다 OVER되어 운전될시 즉각 설계조건 이하로 운전되도록 조치한다.

2) 유지 및 보수

- 사용중 용기에 어떠한 방법으로든 열이나 충격을 가해서는 않된다.
- 납품된 용기는 임의로 부품을 추가하거나 변경하여서는 않된다.
- 설치된 용기는 설치 후 3년이 경과하기 전에 안전검사를 받아야하며 이후 매2년 마다 안전검사를 의무적으로 받아야한다.
- 정기검사를 받지 않는 용기는 자체검사를 실시한다.
- 검사결과 부식 및 기타의 방법으로 두께감소가 설계 계산두께 이하일 경우 사용을 중지하고 새로 제작된 용기로 교체하여야 한다.
- LINNING된 압력용기는 부식누설이 있는지 TEST HOLE을 감시하여야 한다.

6. 수리

1) 수리 및 변경

- 사용 중 수리를 하고자 할 경우 제조회사에 문의를 한다.
- 사용 중 주요 구조부 (동체,경판,스커트등)에 대한 변경 또는 노즐의 추가 설치 시에는 관할지역의 한국산업안전보건공단에 변경에 대한 서면심사(설계검사)를 신청하여 승인을 득한 후 변경하여야 한다.
- 서면심사를 변경할 경우에는 관할지역의 한국산업안전보건공단에 개별제품심사를 신청하여 승인을 득한 후 사용하여야 한다.

7. 수압시험

1) 수리검사 및 기타이유로 내압검사를 행해야 할 경우 수압검사를 원칙으로 한다.

2) 수압시험절차

- 압력계의 최대눈금은 시험압력의 1.5배에서 4배의 것을 사용한다.
- 내압시험 압력은 NAME PLATE(이름판)에 표기된 압력으로 한다.
- 승압은 내압시험 압력의 10%씩 서서히 승압시키고 30분 정도 유지함을 원칙으로 한다.
- 수압시험 유지시간이 시방서등의 별도 지시가 있는 경우는 이에 따른다.
- 검사 중 점검사항
 - * 누설 유무
 - * 변형 유무
 - * 압력강하 여부
- 내압시험 중 이상 징후가 확인되면 즉시 강압시키고 수정하여 다시 시험을 하여야 한다.

2) 배수, 건조 및 방청처리

- (1) 배수 : * 최상부의 공기 취입부와 하부의 배출구를 열어 부압이 발생하지 않도록 한다.
* 높이가 높고 박판인 용기는 내부에 진공이 걸려 파손되지 않도록 한다.
- (2) 건조 : 필요에 따라 사양에서 요구되는 경우 HOT DRY시키는 등으로 완전건조 시킨다.
- (3) 방청처리 : 기기의 방청기간이 길거나 사양에서 요구되면 방청제또는 N2 GAS를 투입시켜 부식이 되지 않도록 한다.

8. 안전과 환경

1) 안전

(1) 정기적인 내부점검

- * 내부압력을 완전히 제거한다.
- * 점검 작업 시 산소농도를 측정하여 이상이 없을시 임한다.
- * 독성물질을 취급하는 압력용기의 점검 및 작업 시 반드시 방독면을 착용하여야 한다.
- * 반드시 감시자를 배치하여야 한다.

(2) 계장부품 점검

- * 안전밸브, 압력계 등 용기의 압력변화에 연관되는 계장부품들이 용기주변에 설치되었을 경우 설계조건에 맞게 작동이 되는지 수시로 점검하여야 한다.

2) 환경

- 부식 등으로 더 이상 사용하지 못할 용기는 폐기처분 하여야 한다.
- 폐기처리 시 독극물 사용기기와 일반용기로 구분한다.
- 폐기처리는 환경ISO에서 정한 폐기물처리 사항에 따른다.
- 그렇지 않은 경우에는 폐기물 처리 관리법에 따라 처리한다.

9. NAME PLATE(이름판)에 표시된 사항

- ① 제품명
- ② 형식명
- ③ 적용규격
- ④ 기기번호
- ⑤ 설계압력 : Mpa (Kgf/cm²)
- ⑥ 설계온도 : °C
- ⑦ 수압시험 : Kgf/cm²
- ⑧ 비파괴 시험의 종류 및 구분 :RT,UT,MT,PT
- ⑨ 용접 후 열처리
- ⑩ 크기 : ID / L
- ⑪ 동체 및 경판 사용두께
- ⑫ 내용적 : 용량
- ⑬ 중량
- ⑭ 동체 및 경판의 재질
- ⑮ 제조년월
- ⑯ 제조자의 이름
- ⑰ 안전인증번호

10. 사용자 교육

- 기기의 관리자에게는 기기의 설계조건을 숙지토록 한다.

11. 책임

- 제조자의 책임은 제품의 상차도 까지를 원칙으로 한다.
- 사용자의 책임은 제품의 하차 도부터 함을 원칙으로 한다.
- 기타 자세한 책임 한계는 상호간에 체결한 계약사에 의한다.