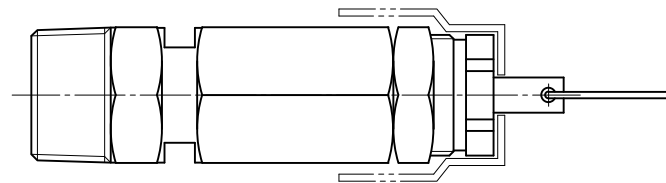
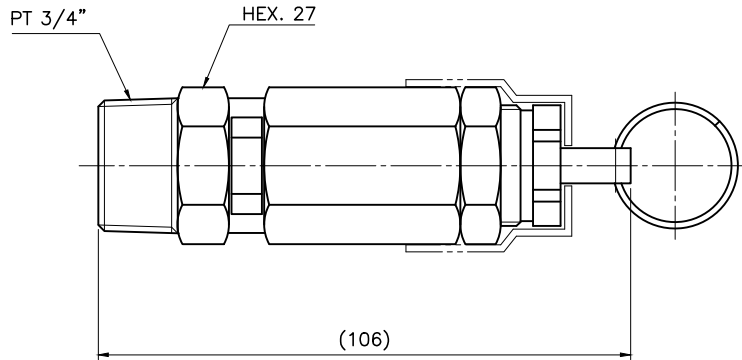


£91100902L

| ITEM | DESCRIPTION | MATERIAL | Q'TY | SIZE | PART DRAWN NO | WT(Kg) |
|------|-------------|----------|------|------|---------------|--------|
| | | | | | | |



NOTE

1. SET PRESSURE RANGE IS 0.5 MPa TO 1.5 MPa
2. RELIEF CAPACITY SEE TABLE
3. MATERIALS OF CONSTRUCTION
 BODY, DISK ---- BRASS
 STEM, NUT ---- STEEL
 PACKING ---- VITON
4. MAX. TEMPERATURE 120°C

| | | | | | | | | |
|----------------------|------------|-----------------|-------|--------|----------------------|-------|---------|------------|
| I&T KOREA | | | | NAME | SAFETY VALVE, PT3/4" | | | |
| SCALE | 1/1 | 1/1 | DRAWN | DESIGN | CHECK | APPR | TIT.PRJ | ISV-20B |
| UNIT | mm | inch | | L.G.H | | L.H.G | DWG NO | PART NO |
| DATE | 2012. 9. 3 | | | | | | | T305001163 |
| | | | | | | | | REV 00 |
| | | | | | | | | SHT NO |

| SYM | REVISION | DATE | SIGN | CHECK | APPR | REFERENCE DRAWING |
|-----|----------|------|------|-------|------|-------------------|
| | | | | | | |