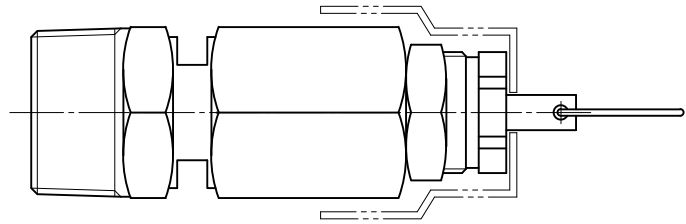
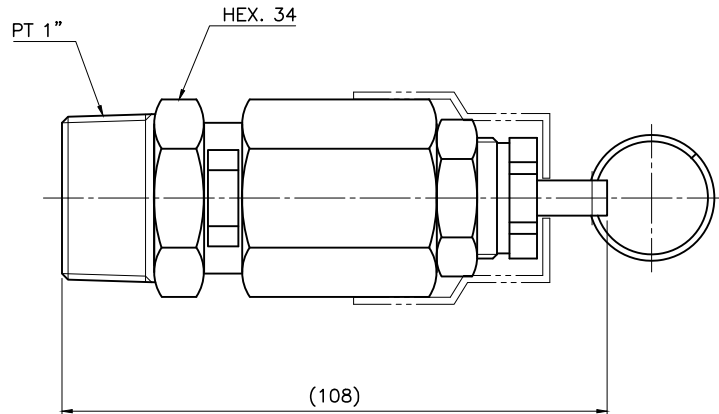


1 2 3 4 5 6 7 8

991100902L

ITEM	DESCRIPTION	MATERIAL	Q'TY	SIZE	PART DRAWN NO	WT(Kg)

A
B
C
D
E
F



NOTE

1. SET PRESSURE RANGE IS 0.5 MPa TO 1.5 MPa
2. RELIEF CAPACITY SEE TABLE
3. MATERIALS OF CONSTRUCTION
 BODY, DISK ---- BRASS
 STEM, NUT ---- STEEL
 PACKING ---- VITON
4. MAX. TEMPERATURE 120°C

I&T KOREA				NAME	SAFETY VALVE, PT1"			
SCALE	1/1	1/1	DRAWN	DESIGN	CHECK	APPR	TIT.PRJ	ISV-25B
UNIT	mm	inch		L.G.H		L.G.H	DWG NO	PART NO
DATE	2012. 9. 3							T305001166
								REV 00
								SHT NO

SYM	REVISION	DATE	SIGN	CHECK	APPR	REFERENCE DRAWING