

# 서 면 심 사

AIR RECEIVER TANK

MODEL : JIN-100-V-2

진 우 기 계

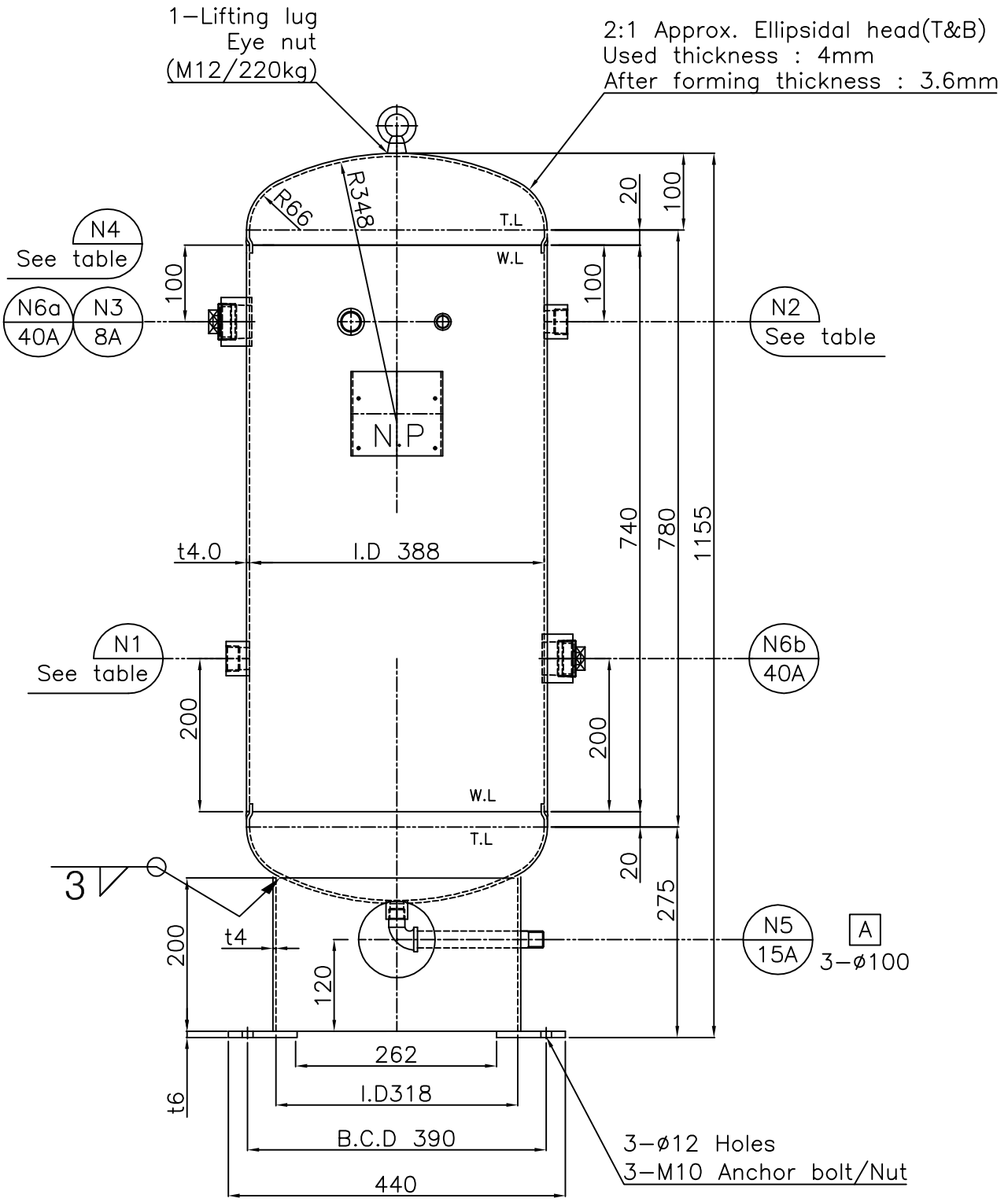
경기도 포천시 가산면 마전리 429-13  
전화:031-542-1797 전송:031-542-1796

# CONTENT

1. LAYOUT & DIMENSION
2. DESIGN CONDITION
3. VOLUME CALCULATION
4. WELDING PROCEDURE
5. PROTECTION EQUIPMENT
6. STRENGTH CALCULATION
7. DRAWING

ITEM NO.	JIN-100-V-2	DWG. TITLE	AIR RECEIVER TANK
----------	-------------	------------	-------------------

1. LAYOUT & DIM.



ELEVATION

TABLE

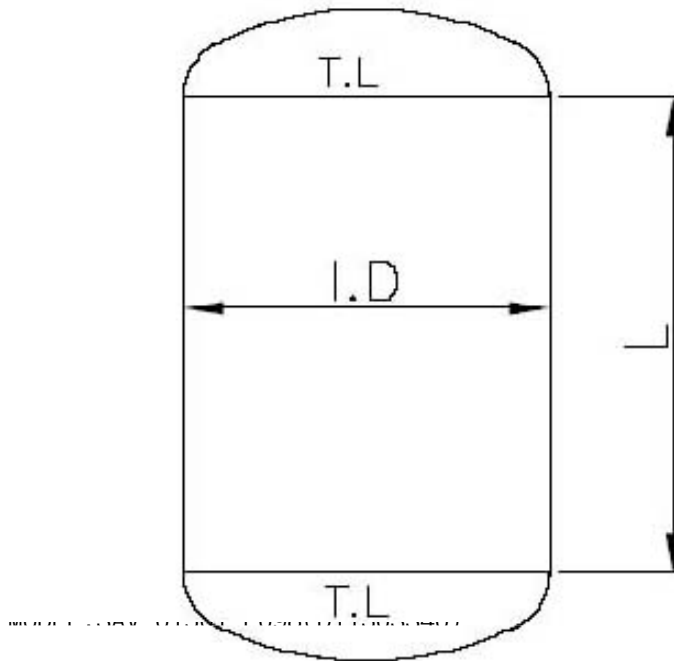
N1/N2	8A	10A	15A	20A	25A	32A	40A	50A	INLET/OUTLET
N4	8A	8A	8A	15A	15A	20A	20A	32A	P.S.V

## 2. DESIGN (TOWER & VESSEL) CONDITION

ITEM NO : JIN-100-V-2

ITEM				DESCRIPTION			
1	VOLUME			0.1		m <sup>3</sup>	
2	FLUID NAME			AIR			
3	DESIGN	PRESSURE		P =	9.99 / 0.98	kgf/cm <sup>2</sup> / MPa	
		TEMPERATURE		T =	75.0	°C	
4	OPERATING	PRESSURE		P =	8.97 / 0.88	kgf/cm <sup>2</sup> / MPa	
		TEMPERATURE		T =	40.0	°C	
5	SHELL INSIDED DIAMETER			Di =	388.0	mm	
6	SHELL W.L to W.L			WL =	740.0	mm	
7	SHELL T.L to T.L			TL =	780.0	mm	
8	SHELL THICKNESS		3.41	ts =	4.0	mm	
9	HEAD THICKNESS	3.4	2.96	th =	4.0	mm	
6	CORROSION ALLOWANCE			α =	1.0	mm	
7	RADIOGRAPH EXAM. (X-RAY)			NO			
8	JOINE FFICIENCY	SHELL-SEAM(CIRCUMFERENTAL STRESS)		E =	70	%	
		SHELL-SEAM(LONGITUDINAL STRESS)		E =	65	%	
		HEAD-SEAM(CIRCUMFERENTAL STRESS)		E =	85	%	
9	STRESS RELEIF HEAT TREATMENT			NO			
10	MATERIAL	SHELL/HEAD		SS275		/	SS275
		SUPPORT		SS275			
		AHCHOR BOLT		SS275			
11	ALLOWABLE STRESS	SHELL/HEAD		114.0	/	114.0	N/mm <sup>2</sup>
		SUPPORT		114.0			N/mm <sup>2</sup>
		AHCHOR BOLT		61.0			N/mm <sup>2</sup>
12	HYDO. TEST PRESS			12.95	/	1.27	kgf/cm <sup>2</sup> /MPa
13	WEIGHT	ERECTION		50	/	490	kgf / N
		OPERATION		50	/	490	kgf / N
		FULL WATER		150	/	1470	kgf / N
14	ERECTION PLACE			INDOOR / OUT DOOR			

## 3. VOLUME CALCULATION



ID : 0.388 m  
L : 0.780 m

## 3.1 SHELL SIDE(T.L FROM T.L)

$$V_s = \pi / 4 \times ID^2 \times L$$

$$= \pi / 4 \times 0.388^2 \times 0.78 = 0.092 \text{ m}^3$$

## 3.2 HEAD SIDE (ELLIPSOIDAL HEAD)

$$V_h = 0.13381 \times ID^3 \times 2$$

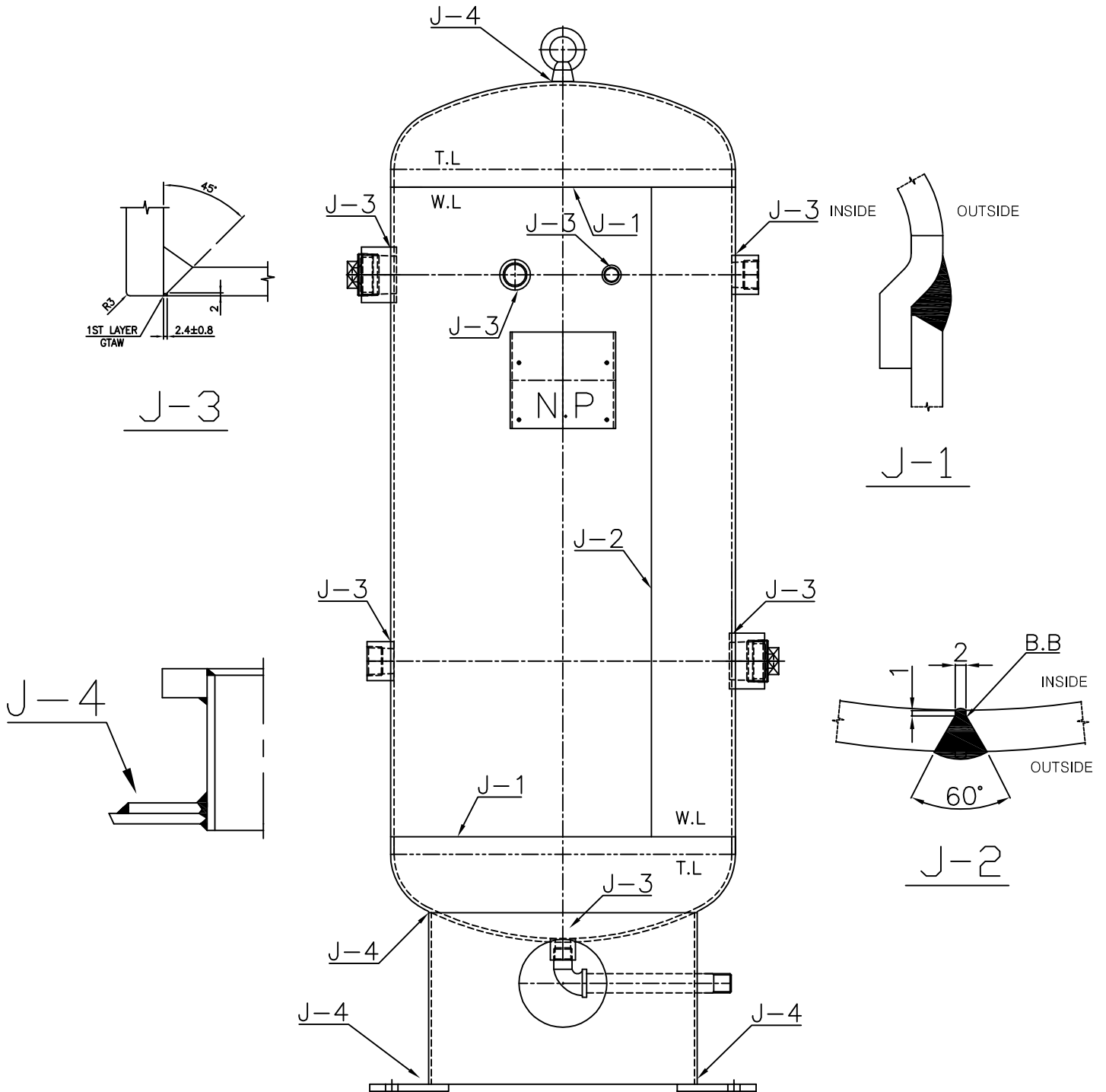
$$= 0.13381 \times 0.388^3 \times 2 = 0.016 \text{ m}^3$$

## 3.3 TOTAL VOLUE

$$V = V_s + V_h = 0.092 + 0.016 = 0.108 \text{ m}^3$$

# 4. WELDING PROCEDURE

## 4-1. WELDING MAP



JOINT NO	PROCESS	W.P.S	W/D MAT'L CLASS	REMARKS
J-1,2	FCAW	JW-WGT-01	ER70S-6	
	GTAW	JW-WFC-01	E71T-1C	
J-3,4	FCAW	JW-WGT-01	ER70S-6	
	GTAW	JW-WFC-01	E71T-1C	
PREPARED BY		CHECKED BY		APPROVED BY

Company Name(제조사 명) : 진우기계  
 Welding Procedure Specification No.(사양서 번호) : JW-WGT-001 Date(일자) : 2015.01.20 Revision No.(개정번호) : 0  
 Supporting PQR No.(s) (관련 용접절차검증서 번호) : JW-WGT-PQ-001  
 Welding Process(es)(용접방법) : GTAW  
 Type(Manual, Automatic, Semi-Auto.)(용접형태) : Manual

JOINTS(QW-402) (용접이음)	JOINT DETAILS (용접이음상세)
Type of joint(용접방법) : Groove and Fillet  Backing(백킹) : <input checked="" type="checkbox"/> Yes : For Fillet and double-welded groove <input checked="" type="checkbox"/> No : For single groove Backing Material (Type) (백킹재질, 형태) <input checked="" type="checkbox"/> Metal <input type="checkbox"/> Nonfusing Metal <input type="checkbox"/> Nonmetallic <input type="checkbox"/> Other  Retainers(리테이너) : None	See the applicable shop drawings and welding map. (해당 도면 및 용접 맵 참조할 것.)

**BASE METAL(QW-403) (모재)**  
 P-No. 1 Group No. ALL to P-No. 1 Group No. ALL  
 or  
 Specification and type / grade or UNS number. None  
 to Specification type / grade or UNS number. None  
 or  
 Chem. Analysis and Mech. Prop. None  
 to Chem. Analysis and Mech. Prop. None  
  
 Qualified Thickness Range(모재두께범위)  
 Base Metal : Groove : 1.5~18.0mm Fillet : Unlimited  
  
 Other : None

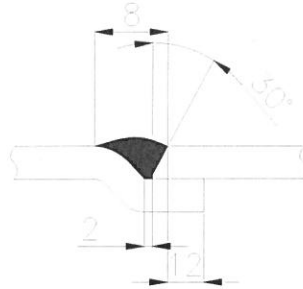
FILLER METALS (QW-404) (용가재)		GTAW	
Spec. No. (SFA)		5.18	
AWS No.(Class)		ER70S-6	
F-No.		6	
A-No.		ER70S-6	
Size of Filler Metals(용가재 크기)		φ 2.4mm and φ 3.2mm	
Filler Metal Product Form(용가재 형태)		Bare(Solid)	
Filler ±(Delet. / Add.)(용가재 삭제/추가)		ER70S-6	
Weld Metal Thickness Range (용착금속 두께범위)	Groove	Max. 18.0mm	
	Fillet	Unlimited	
Flux Added(추가 플럭스)		<input type="checkbox"/> Yes / <input checked="" type="checkbox"/> No	
Flux Trade Name (플럭스 상품명)		N/A	
Consumable Insert(소모성 인서트)		None	
Others(기타)		None	





Company Name(제조사 명) : 진우기계  
 Procedure Qualification Record No.(용접절차 검증서 번호) : JW-WGT-PQ-001 Date(일자) : 2015.01.20  
 WPS No.(용접사양서 번호) : JW-WGT-001(Rev.0)  
 Welding Process(es)(용접방법) : GTAW  
 Type(Manual, Automatic, Semi-Auto.)(용접형태) : Manual

**JOINTS(QW-402) (용접이음)**



Groove Angle : 45°, Root Opening : 2.0mm, Root Face : 1mm, T(Thickness) : 9.0mm

**BASE METAL(QW-403) (모재)**

Material Spec(모재사양) : \_\_\_\_\_ to \_\_\_\_\_  
 Type or Grade (형태 혹은 등급) : \_\_\_\_\_ to \_\_\_\_\_  
 P-No. 1 Gr-No. 2 to P-No. 1 Gr-No. 2  
 Thickness of Test Coupon(시험재 두께) : 9.0 mm  
 Diameter of Test Coupon(시험재 직경) : N/A  
 Other : N/A

**POSTWELD HEAT TREATMENT(QW-407) (후열처리)**

Type (형태) : None  
 Temperature Range (온도범위) : None  
 Time Range (시간범위) : None  
 T Limits :  YES  NO : None

**FILLER METALS (QW-404) (용가재)**

SFA No.(용가재 규격번호) 5.18  
 AWS Classification (AWS 등급번호) ER70S-6(Bare Solid)  
 Filler Metal F-No. 6  
 Weld Metal Analysis A-No. ER70S-6  
 Size of Filler Metals (용가재 크기) φ 2.4mm/φ 3.2mm  
 Weld Metal Thickness (용착금속 두께) 9.0 mm  
 Filler ±(Delet. / Add.) (용가재 삭제/추가) ER70S-6  
 Other (기타) T-50(KISWEL)

**GAS(QW-408) (가스)**

For	Percent Composition(조성비율)		
	Gas(es)	Single	Flow Rate
Shielding	Ar	Welding Grade	15ℓ/min.
Trailing	None	None	None
Backing	None	None	None

**POSITION (QW-405) (용접자세)**

Test Position(s) (시험자세) 3G  
 Welding Progression (Uphill, Downhill) Uphill  
 용접진행 (상향, 하향)

**ELECTRICAL CHARACTERISTICS (QW-409) (전기적 특성)**

Current (전류) : DC Polarity(극성) : EN  
 Amps(전류) : 120~200A Volts(전압) : 13~18V  
 Tungstem Electode Size (텅스텐용접봉크기) φ 3.2, EWTh-2  
 Heat Input(용접입열량) : Max. 1982 J/ cm  
 Other(기타) : None

**PREHEAT (QW-406)(예열)**

Prehea Temp. Min. (최소 예열온도) : 26°C  
 Interpass Temp. Max. (최대 층간온도) : 125°C  
 Other (기타) N/A

**TECHNIQUE(QW-410) (용접기법)**

Travel Speed (운봉속도) : 10.9 ~ 17.1 cm / min.  
 String or Weave bead (직진 혹은 웨이브) : weave  
 Oscillation (진동) : None  
 Multiple to Single Layer(다층에서 단층) : N/A  
 Multiple to Single Pass(per side) (다층 혹은 단층) : Multiple  
 Single to Multiple Electrodes (단극 혹은 다극 용접봉) : None  
 Closed to out chamber (밀폐에서 개방) : None  
 Use of thermal processes(열 사용) : None  
 Other (기타) : None

**JINWOO**

JINWOO MACHINERY CO.,LTD. KOREA

**PROCEDURE QUALIFICATION RECORD(PQR)**

(Back)

Record Actual Conditions Used to Weld Test Coupon.

Sheet No. 2 of 2

PQR No : JW-WGT-PQ-001

**Tensile Test (QW-150)(인장시험)**

Specimen No.	Width (mm)	Thick. (mm)	Area (mm <sup>2</sup> )	Ultimate Tensile Load (kN)	Ultimate Unit Stress (N/mm <sup>2</sup> )	Type of failure & Location (파손형태 및 위치)
No.1	18.99	8.94	169.77	93.193	549.0	Ductile,Weld Metal
No.2	18.91	8.86	167.54	94.784	566.0	Ductile,Weld Metal

Test Report Number :

**Guided-Bend Test (QW-160)(굽힘시험)**

Specimen No.	Type of Bend	Result	Remarks
No.1	Transverse Face Bend Test	Acceptable	Open Discontinuity (1.0mm)
No.2	Transverse Face Bend Test	Acceptable	No Open Discontinuity
No.1	Transverse Root Bend Test	Acceptable	No Open Discontinuity
No.2	Transverse Root Bend Test	Acceptable	No Open Discontinuity

Test Report Number :

**Toughness Test (QW-170)(충격시험)-N/A**

Specimen No.	Notch Location	Specimen Size(mm)	Test Temp.(°C)	Impact Values(충격저항)(J)			Lateral Expansion @Opposite the notch (Mils)
				Base Metal	HAZ	Weld Metal	

Test Report Number : N/A

Comments : N/A

**Fillet-Weld Test (QW-170)(필렛용접시험) : N/A**

Result(결과) Satisfactory : Yes \_\_\_\_\_ No \_\_\_\_\_ Penetration into Parent Metal(모재의 용입) : Yes \_\_\_\_\_ No \_\_\_\_\_

**Other Test (기타시험)**

Macro - Results(육안검사 결과) : N/A

Visual Exam @ Weld Metal and HAZ : N/A

Hardness Test @(  Weld Metal,  HAZ,  Base Met -- Test Report Number : N/A

Micro Examinations : N/A

Ferrite Amount of Micro Examination @ HAZ : N/A

Nondestructive Examination : RT(Report No. : N/A )




Welder's Name(용접사명) : I.J.LEE Stamp No. : JW-001

Tests conducted by(시험수행처) : KOREA TESTING &amp; RESEARCH INSTITUTE

Laboratory Test No. : \_\_\_\_\_

**We certify that the statements in this record are correct and that the test welds were prepared, welded, and tested in accordance with the requirements of Section IX of the ASME Code.(본 용접절차 검증서는 용접시험준비, 용접, 시험이 ASME Code Section IX 의 요구사항과 일치됨을 증명한다.)**

Manufacturer(제조사) : 진우기계 Date(일자) : 2015.01.20

Prepared by(작성자)	Reviewed by(검토자)	Certified by(인증자)	Reviewed by(검토자)
			



# JINWOO

JINWOO MACHINERY CO.,LTD. KOREA

## WELDING PROCEDURE SPECIFICATION(WPS)

(See QW-200.1, Section IX, ASME Boiler and Pressure Vessel Code)

Sheet No. 2 of 2

No. JW-WFC-001(Rev.0)

### POSITION (QW-405) (자세)

Position(s) of Groove(홈자세) : ALL

Position(s) of Fillet(필렛자세) : ALL

Welding Progression (진행방향) : Up  Down

### POSTWELD HEAT TREATMENT(QW-407) (후열처리)

Type (형태) : None

Temperature Range (온도범위) : None

Time Range (시간범위) : None

T Limits :  Yes  No : None

### PREHEAT (QW-406)(예열)

Preheat Temp. Min. (최소 예열온도) : 10°C

Interpass Temp. Max. (최대 층간온도) : 180°C

Preheat Maintenance : Still in air after welding  
(예열유지)  
(Continuous or special heating where applicable should be recorded)

### GAS(QW-408) (가스)

For	Percent Composition(조성비율)		
	Gas(es)	Single	Flow Rate
Shielding	CO2	Welding Grade	10~20l/min.
Trailing	None	None	None
Backing	None	None	None

### ELECTRICAL CHARACTERISTICS (QW-409) (전기적 특성)

Current AC or DC (전류 교류 혹은 직류) : DC Polarity(극성) : EP Pulsed current(펄스전류) : N/A

Amps(Range) (전류범위) : Refer to the below tabular form.

Volts(Range) (전압범위) : Refer to the below tabular form.

(Amps and Volts range should be recorded for each for each electrode size, position, and thickness, etc. This information may be listed in a tabular form similar to that shown below.)

Tungsten Electrode Size and Type(텅스텐 전극봉 크기 및 형태) : N/A

Mode of Metal Transfer for GMAW(FCAW)(금속이해 형태) : globular, spray, pulsed spray

Other (기타) : None

### TECHNIQUE(QW-410) (용접기법)

String or Weave bead (직진 혹은 웨이브) : Both

Orifice or Gas Cup Size(토치구경 혹은 가스컵 크기) : 12~20mm

Initial and interpass Cleaning (초층 및 층간 청정) : Grinding and / or Wire brushing

Method of Back Gouging(백가우징 방법) : Air-Arc Gouging & Grinding until all defects are removed if required

Oscillation(진동) : None

Contact Tube to Work Distance(접촉튜브와 용접물간의 거리) : 10~20mm

Multiple to Single Layer(다층에서 단층) : N/A

Multiple to Single Pass(per side) (다중패스에서 단일패스/면) : Multiple

Single to Multiple Electrodes (단일에서 다중 전극) : None

Electrode Spacing (전극간격) : None

Peening(피이닝) : Not permitted

Closed to out chamber (밀폐에서 개방) : N/A

Use of thermal processes(열 사용) : None

Other (기타) : None

Weld Layer(s) (용접층)	Process (방법)	Filler Metal(용가재)		Current(전류)		Volt Range (전압범위)	Travel Speed Range (cm/min)	Other (e.g.,Remarks, Comments, Hot Wire Addition,Technique,Torch Angle, Etc.)
		Class 규격	Dia. 직경	Type Polar.	Amp. Range			
As Required	FCAW	E71T-1C	φ 1.4	DCEP	220~300A	25~36 V	N/A	N/A

### Note

1. Prior to welding, adjacent area within 1in.(25mm) from edge preparation shall be free of dirt, grease, and/or any other harmful material to welds.(용접 전, 용접단 25mm 이내는 먼지, 그리스, 및 용접부에 해로운 것이 없을 것.)
2. This WPS shall not be used when impact test is applied.(본 WPS는 충격시험이 적용되는 경우 사용하지 않는다.)

Prepared by(작성자)

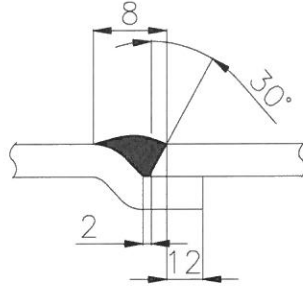
Reviewed by(검토자)

Approved by(승인자)

Reviewed by(검토자)

Company Name(제조사 명) : 진우기계  
 Procedure Qualification Record No.(용접절차 검증서 번호) : JW-WFC-PQ-001 Date(일자) : 2015.01.20  
 WPS No.(용접사양서 번호) : JW-WFC-001(Rev.0)  
 Welding Process(es)(용접방법) : FCAW  
 Type(Manual, Automatic, Semi-Auto.)(용접형태) : Semi-Automatic

**JOINTS(QW-402) (용접이음)**



Groove Angle : 45°, Root Opening : 2.0mm, Root Face : 1mm, T(Thickness) : 9.0mm

**BASE METAL(QW-403) (모재)**

Material Spec(모재사양) : \_\_\_\_\_ to \_\_\_\_\_  
 Type or Grade (형태 혹은 등급) : \_\_\_\_\_ to \_\_\_\_\_  
 P-No. 1 Gr-No. 2 to P-No. 1 Gr-No. 2  
 Thickness of Test Coupon(시험재 두께) : 9.0 mm  
 Diameter of Test Coupon(시험재 직경) : N/A  
 Maximum Pass Thickness(패스 최대 두께) : 4.0 mm

**POSTWELD HEAT TREATMENT(QW-407) (후열처리)**

Type (형태) : None  
 Temperature Range (온도범위) : None  
 Time Range (시간범위) : None  
 T Limits :  YES  NO : None

**FILLER METALS (QW-404) (용가재)**

SFA No.(용가재 규격번호) : 5.20  
 AWS Classification (AWS 등급번호) : E71T-1C (Flux Cored)  
 Filler Metal F-No. : 6  
 Weld Metal Analysis A-No. : E71T-1C  
 Size of Filler Metals (용가재 크기) : φ 1.4  
 Supplemental Filler Metal(보충 용가재) : None  
 Alloy Elements(합금 원소) : None  
 Weld Metal Thickness (용착금속 두께) : 9.0 mm

**GAS(QW-408) (가스)**

For	Percent Composition(조성비율)		
	Gas(es)	Single	Flow Rate
Shielding	CO2	Welding Grade	15ℓ/min.
Trailing	None	None	None
Backing	None	None	None

**POSITION (QW-405) (용접자세)**

Test Position(s) (시험자세) : 3G  
 Welding Progression (Uphill, Downhill) : Uphill  
 용접진행 (상향, 하향)

**ELECTRICAL CHARACTERISTICS (QW-409) (전기적 특성)**

Current (전류) : DC Polarity(극성) : EP  
 Amps(전류) : 245~250A Volts(전압) : 28~29V  
 Mode of Metal Transfer for GMAW(FCAW) : Globular  
 Heat Input(용접입열량) : Max. 17284 J/ cm  
 Other(기타) : None

**PREHEAT (QW-406)(예열)**

Prehea Temp. Min. (최소 예열온도) : 55°C  
 Interpass Temp. Max. (최대 층간온도) : 170°C  
 Other (기타) : N/A

**TECHNIQUE(QW-410) (용접기법)**

Travel Speed (운봉속도) : 24.3 ~ 26.5 cm / min.  
 String or Weave bead (직진 혹은 웨이브) : weave  
 Oscillation (진동) : None  
 Multiple to Single Layer(다층에서 단층) : N/A  
 Multiple to Single Pass(per side) (다층 혹은 단층) : Multiple  
 Single to Multiple Electrodes (단극 혹은 다극 용접봉) : None  
 Closed to out chamber (밀폐에서 개방) : N/A  
 Use of thermal processes(열 사용) : None  
 Other (기타) : None

**JINWOO**

JINWOO MACHINERY CO.,LTD. KOREA

**PROCEDURE QUALIFICATION RECORD(PQR)**

Sheet No. 2 of 2

(Back)

Record Actual Conditions Used to Weld Test Coupon.

PQR No : JW-WFC-PQ-001

**Tensile Test (QW-150)(인장시험)**

Specimen No.	Width (mm)	Thick. (mm)	Area (mm <sup>2</sup> )	Ultimate Tensile Load (kN)	Ultimate Unit Stress (N/mm <sup>2</sup> )	Type of failure & Location (파손형태 및 위치)
No.1	18.91	8.85	167.35	94.552	565.0	Ductile,Base Metal
No.2	19.00	8.46	160.74	91.878	572.0	Ductile,Weld Metal

Test Report Number :

**Guided-Bend Test (QW-160)(굽힘시험)**

Specimen No.	Type of Bend	Result	Remarks
No.1	Transverse Face Bend Test	Acceptable	No Open Defect
No.2	Transverse Face Bend Test	Acceptable	No Open Defect
No.1	Transverse Root Bend Test	Acceptable	No Open Defect
No.2	Transverse Root Bend Test	Acceptable	No Open Defect

Test Report Number :

**Toughness Test (QW-170)(충격시험)-N/A**

Specimen No.	Notch Location	Specimen Size(mm)	Test Temp.(°C)	Impact Values(충격저항)(J)			Lateral Expansion @Opposite the notch (Mils)
				Base Metal	HAZ	Weld Metal	

Test Report Number : N/A

Comments : N/A

**Fillet-Weld Test (QW-170)(필렛용접시험) : N/A**

Result(결과) \_\_ Satisfactory : Yes \_\_\_\_\_ No \_\_\_\_\_ Penetration into Parent Metal(모재의 용입) : Yes \_\_\_\_\_ No \_\_\_\_\_

**Other Test (기타시험)**

Macro - Results(육안검사 결과) : N/A

Visual Exam @ Weld Metal and HAZ : N/A

Hardness Test @(  Weld Metal,  HAZ,  Base Met: -- Test Report Number : N/A

Micro Examinations : N/A

Ferrite Amount of Micro Examination @ HAZ : N/A

Nondestructive Examination : RT(Report No. : N/A )




Welder's Name(용접사명) : I.J.LEE Stamp No. : JW-001

Tests conducted by(시험수행처) : KOREA TESTING &amp; RESEARCH INSTITUTE

Laboratory Test No. : \_\_\_\_\_

**We certify that the statements in this record are correct and that the test welds were prepared, welded, and tested in accordance with the requirements of Section IX of the ASME Code.(본 용접절차 검증서는 용접시험준비, 용접, 시험이 ASME Code Section IX 의 요구사항과 일치됨을 증명한다.)**

Manufacturer(제조사) : 진우기계 Date(일자) : 2017.10.20

Prepared by(작성자)	Reviewed by(검토자)	Certified by(인증자)	Reviewed by(검토자)
			

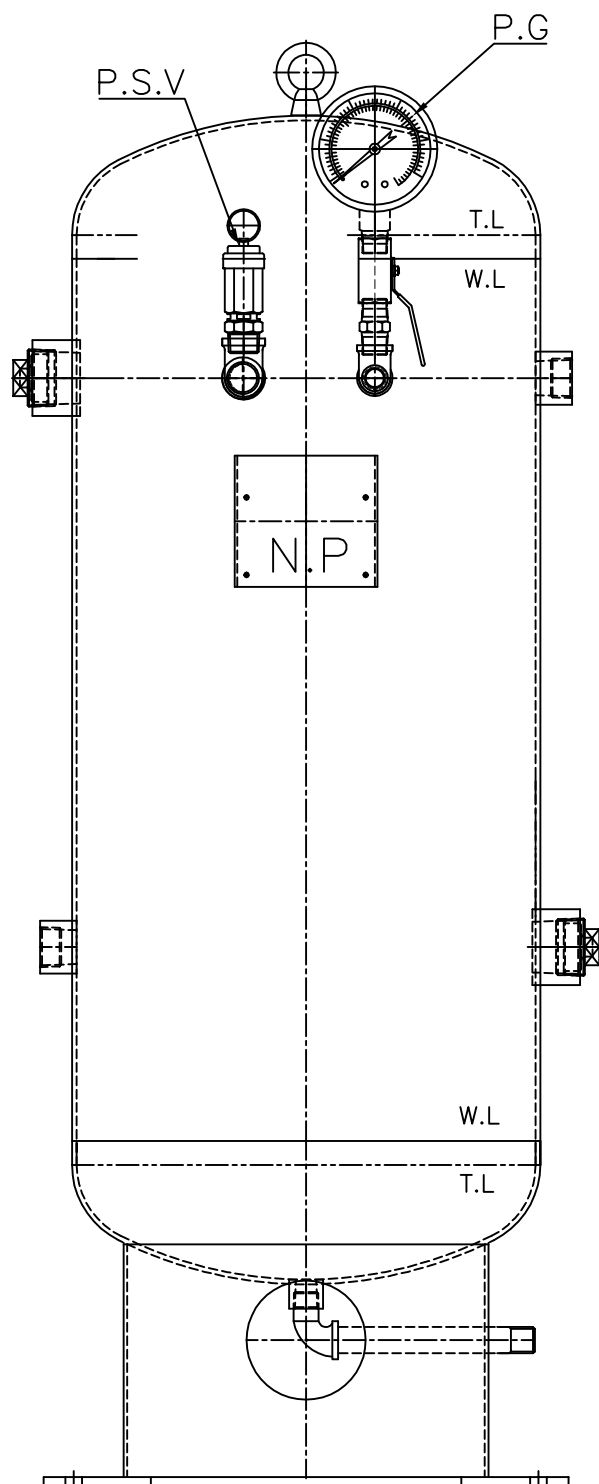
# 5. PROTECTION EQUIPMENT

- 5-1. PROTECTION CONTENT
- 5-2. PROTECTION INSTALLATION DWG
- 5-3. PROTECTION SPECIFICATION

## 5-1. PROTECTION CONTENT

ITEM	INSTALLATION		REASON OF NO INSTALLATION	REMARK
	SHELL	PIPING		
P.S.V	○			
P.G	○			
T.I			ROOM TEMP.	

## 5-2. PROTECTION INSTALLATION DWG



# 1, PROTECTION SPECIFICATION.

## 1.1 SAFETY VALVE

### A. GENERAL SPECIFICATION.

1) ITEM NO	:	
2) NOZZLE NO	:	N4
3) Q'TY	:	1.0 EA
4) MANUFACTURE	:	INT KOTREA or EQ
5) MODEL	:	ISV-15A(LIFT TYPE) or EQ
6) INLET CONNECTION	:	8A(PT 1/4")
7) OUTLET CONNECTION	:	OPEN

### B. DESIGN CONDITION

1) FLUID	:	AIR
2) SPECIFIC HEAT RATIO (C)	:	27.03
3) ORIFICE AREA(A)	:	18.84 mm <sup>2</sup>
4) MOL WEIGHT(M)	:	28.96
5) RELIEVING TEMP(T) °C + 273	:	313 °C
6) SETTING PRESSURE(P)	:	0.98 Mpa
7) ATMOSPHERIC PRESSURE(Pa)	:	0.104 Mpa
8) EMISSION COEFFICIENT(K)	:	0.878
9) NOZZLE INDIAMETER(D) (15Axt3.7)	:	1.630 cm
11) AIR VELOCITY(V)	:	15.0 m/sec
12) $y = (P + 0.103) \times 10^4 / (M \times T) =$		12.161

## 1.2 DISCHARGE CAPACITY OF VALVE

$$W_a = C \times K \times A \times \{(P \times 1.1) + P_a\} \times \sqrt{(M/T)}$$

$$W_a = 27.03 \times 0.878 \times 18.84 \times \{(0.98 \times 1.1) + 0.104\} \times \sqrt{(28.96/313)}$$

$$= 160.76 \text{ kg/hr}$$

## 1.3 MAX. INLET CAPACITY

$$W_F = 0.28 \times V \times y \times D^2$$

$$= 0.28 \times 15 \times 12.161 \times (1.63^2) = 135.70 \text{ Kg/Hr}$$

## 1.4 RESULT

$$W_F = 135.7 \text{ Kg/Hr} < W_r = 160.75 \text{ Kg/Hr}$$

THEREFORE, 8A(PT 1/4")x1EA S/V -----OK !



# 1, PROTECTION SPECIFICATION.

## 1.1 SAFETY VALVE

### A. GENERAL SPECIFICATION.

1) ITEM NO	:	
2) NOZZLE NO	:	N4
3) Q'TY	:	1.0 EA
4) MANUFACTURE	:	INT KOTREA or EQ
5) MODEL	:	ISV-15A(LIFT TYPE) or EQ
6) INLET CONNECTION	:	15A(PT 1/2")
7) OUTLET CONNECTION	:	OPEN

### B. DESIGN CONDITION

1) FLUID	:	AIR
2) SPECIFIC HEAT RATIO (C)	:	27.03
3) ORIFICE AREA(A)	:	55.95 mm <sup>2</sup>
4) MOL WEIGHT(M)	:	28.96
5) RELIEVING TEMP(T) °C + 273	:	313 °C
6) SETTING PRESSURE(P)	:	0.98 Mpa
7) ATMOSPHERIC PRESSURE(Pa)	:	0.104 Mpa
8) EMISSION COEFFICIENT(K)	:	0.878
9) NOZZLE INDIAMETER(D) (25Ax4.5)	:	2.700 cm
11) AIR VELOCITY(V)	:	15.0 m/sec
12) $y = (P + 0.103) \times 10^4 / (M \times T) =$		12.161

## 1.2 DISCHARGE CAPACITY OF VALVE

$$W_a = C \times K \times A \times \{(P \times 1.1) + P_a\} \times \sqrt{(M/T)}$$

$$W_a = 27.03 \times 0.878 \times 55.95 \times \{(0.98 \times 1.1) + 0.104\} \times \sqrt{(28.96/313)}$$

$$= 477.40 \text{ kg/hr}$$

## 1.3 MAX. INLET CAPACITY

$$W_F = 0.28 \times V \times y \times D^2$$

$$= 0.28 \times 15 \times 12.161 \times (2.7^2) = 372.34 \text{ Kg/Hr}$$

## 1.4 RESULT

$$W_F = 372.34 \text{ Kg/Hr} < W_r = 477.4 \text{ Kg/Hr}$$

THEREFORE, 15A(PT 1/2")x1EA S/V -----OK !

# 1, PROTECTION SPECIFICATION.

## 1.1 SAFETY VALVE

### A. GENERAL SPECIFICATION.

1) ITEM NO	:	
2) NOZZLE NO	:	N4
3) Q'TY	:	1.0 EA
4) MANUFACTURE	:	INT KOTREA or EQ
5) MODEL	:	ISV-20A(LIFT TYPE) or EQ
6) INLET CONNECTION	:	20A(PT 3/4")
7) OUTLET CONNECTION	:	OPEN

### B. DESIGN CONDITION

1) FLUID	:	AIR
2) SPECIFIC HEAT RATIO (C)	:	27.03
3) ORIFICE AREA(A)	:	101.30 mm <sup>2</sup>
4) MOL WEIGHT(M)	:	28.96
5) RELIEVING TEMP(T) °C + 273	:	313 °C
6) SETTING PRESSURE(P)	:	0.98 Mpa
7) ATMOSPHERIC PRESSURE(Pa)	:	0.104 Mpa
8) EMISSION COEFFICIENT(K)	:	0.878
9) NOZZLE INDIAMETER(D) (40Ax5.1)	:	4.040 cm
11) AIR VELOCITY(V)	:	15.0 m/sec
12) $y = (P + 0.103) \times 10^4 / (M \times T) =$		12.161

## 1.2 DISCHARGE CAPACITY OF VALVE

$$W_a = C \times K \times A \times \{(P \times 1.1) + P_a\} \times \sqrt{(M/T)}$$

$$W_a = 27.03 \times 0.878 \times 101.3 \times \{(0.98 \times 1.1) + 0.104\} \times \sqrt{(28.96/313)}$$

$$= 864.36 \text{ kg/hr}$$

## 1.3 MAX. INLET CAPACITY

$$W_F = 0.28 \times V \times y \times D^2$$

$$= 0.28 \times 15 \times 12.161 \times (4.04^2) = 833.64 \text{ Kg/Hr}$$

## 1.4 RESULT

$$W_F = 833.64 \text{ Kg/Hr} < W_r = 864.35 \text{ Kg/Hr}$$

THEREFORE, 20A(PT 3/4")x1EA S/V -----OK !

# 1, PROTECTION SPECIFICATION.

## 1.1 SAFETY VALVE

### A. GENERAL SPECIFICATION.

1) ITEM NO	:	
2) NOZZLE NO	:	N4
3) Q'TY	:	1.0 EA
4) MANUFACTURE	:	JOKWANG I.L.I CO.,LTD or EQ
5) MODEL	:	JSV-LT12(LOW LIFT TYPE) or EQ
6) INLET CONNECTION	:	32A
7) OUTLET CONNECTION	:	32A

### B. DESIGN CONDITION

1) FLUID	:	AIR
2) SPECIFIC HEAT RATIO (C)	:	27.03
3) ORIFICE AREA(A)	:	221.17 mm <sup>2</sup>
4) MOL WEIGHT(M)	:	28.96
5) RELIEVING TEMP(T) °C + 273	:	313 °C
6) SETTING PRESSURE(P)	:	0.98 Mpa
7) ATMOSPHERIC PRESSURE(Pa)	:	0.104 Mpa
8) EMISSION COEFFICIENT(K)	:	0.878
9) NOZZLE INDIAMETER(D) (50Ax5.5)	:	4.950 cm
11) AIR VELOCITY(V)	:	15.0 m/sec
12) $y = (P + 0.103) \times 10^4 / (M \times T) =$	:	12.161

## 1.2 DISCHARGE CAPACITY OF VALVE

$$W_a = C \times K \times A \times \{(P \times 1.1) + P_a\} \times \sqrt{(M/T)}$$

$$W_a = 27.03 \times 0.878 \times 221.168 \times \{(0.98 \times 1.1) + 0.104\} \times \sqrt{(28.96/313)}$$

$$= 1,887.15 \text{ kg/hr}$$

## 1.3 MAX. INLET CAPACITY

$$W_F = 0.28 \times V \times y \times D^2$$

$$= 0.28 \times 15 \times 12.161 \times (4.95^2) = 1,251.48 \text{ Kg/Hr}$$

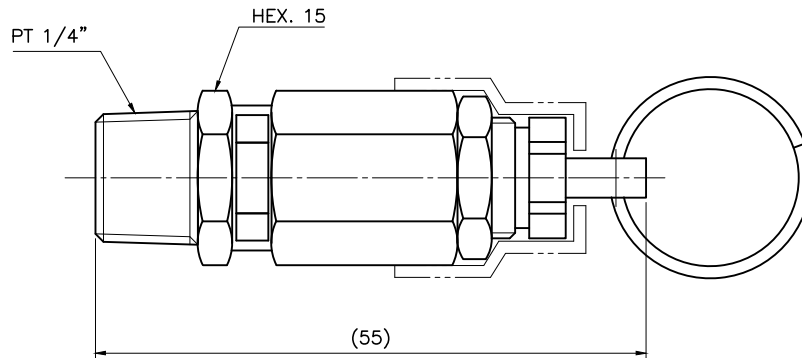
## 1.4 RESULT

$$W_F = 1251.48 \text{ Kg/Hr} < W_r = 1887.15 \text{ Kg/Hr}$$

THEREFORE, 32Ax1EA S/V ----- OK !

Τ305000923

ITEM	DESCRIPTION	MATERIAL	Q'TY	SIZE	PART DRAWN NO	WT(Kg)



NOTE

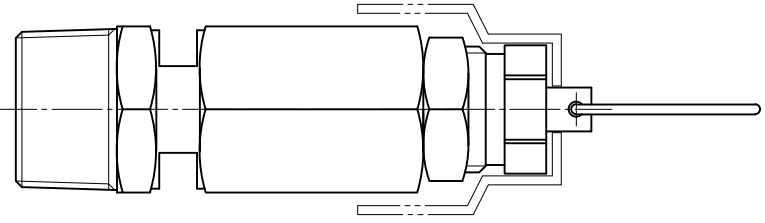
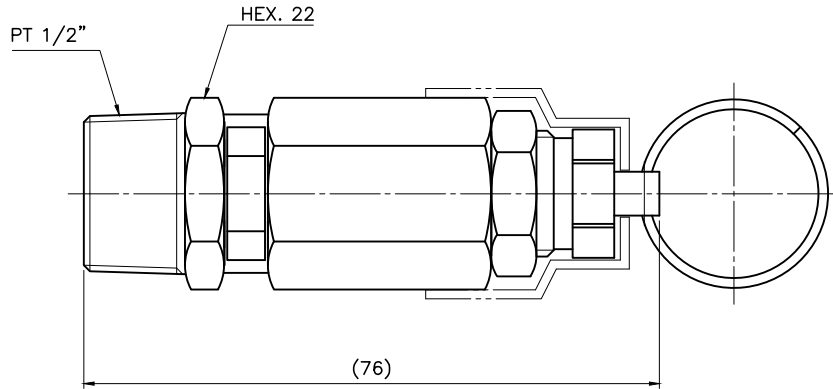
1. SET PRESSURE RANGE IS 0.5 MPa TO 1.5 MPa
2. RELIEF CAPACITY SEE TABLE
3. MATERIALS OF CONSTRUCTION  
 BODY, DISK ---- BRASS  
 STEM, NUT ---- STEEL  
 PACKING ---- VITON
4. MAX. TEMPERATURE 120°C

<b>I&amp;T KOREA</b>							NAME	SAFETY VALVE, PT1/4"		
SCALE	2/1	<del>NTS</del>	DRAWN	DESIGN	CHECK	APPR	TIT.PRJ	ISV-08A		
UNIT	mm	<del>inch</del>		L.G.H		L.H.G	DWG NO	PART NO		REV
DATE	2012. 5.24							T305000923		00

SYM	REVISION	DATE	SIGN	CHECK	APPR	REFERENCE DRAWING

1  
T305000933

ITEM	DESCRIPTION	MATERIAL	Q'TY	SIZE	PART DRAWN NO	WT(Kg)



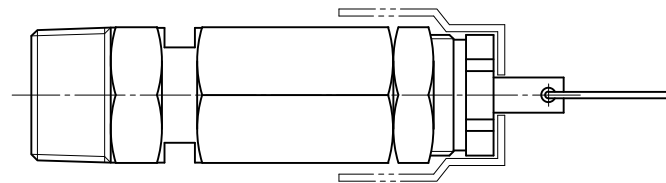
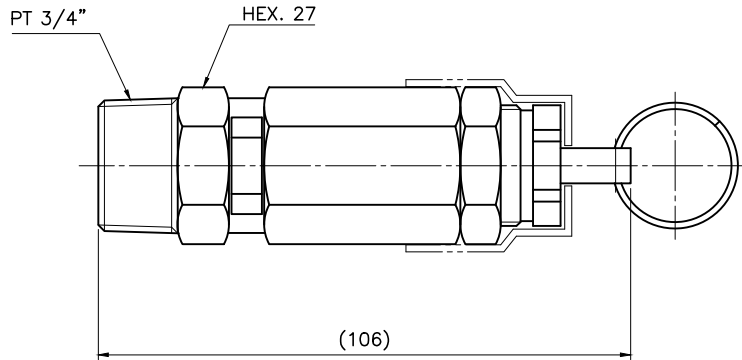
- NOTE
1. SET PRESSURE RANGE IS 0.5 MPa TO 1.5 MPa
  2. RELIEF CAPACITY SEE TABLE
  3. MATERIALS OF CONSTRUCTION  
 BODY, DISK --- BRASS  
 STEM, NUT --- STEEL  
 PACKING --- VITON
  4. MAX. TEMPERATURE 120°C

						NAME	SAFETY VALVE, PT1/2"				
						SCALE	2/3	NTS	DRAWN	DESIGN	CHECK
UNIT	mm	<del>inch</del>		L.H.G			L.H.G	DWG NO	PART NO	REV	SHT NO
DATE	2012. 5.24								T305000933	00	

SYM	REVISION	DATE	SIGN	CHECK	APPR	REFERENCE DRAWING

£91100902L

ITEM	DESCRIPTION	MATERIAL	Q'TY	SIZE	PART DRAWN NO	WT(Kg)



NOTE

1. SET PRESSURE RANGE IS 0.5 MPa TO 1.5 MPa
2. RELIEF CAPACITY SEE TABLE
3. MATERIALS OF CONSTRUCTION  
 BODY, DISK ---- BRASS  
 STEM, NUT ---- STEEL  
 PACKING ---- VITON
4. MAX. TEMPERATURE 120°C

<b>I&amp;T KOREA</b>				NAME	SAFETY VALVE, PT3/4"			
SCALE	1/1	<del>1/1</del>	DRAWN	DESIGN	CHECK	APPR	TIT.PRJ	ISV-20B
UNIT	mm	<del>inch</del>		L.G.H		L.H.G	DWG NO	PART NO
DATE	2012. 9. 3							T305001163
								REV 00
								SHT NO

SYM	REVISION	DATE	SIGN	CHECK	APPR	REFERENCE DRAWING

## 안전밸브 사양서

제조사	(주)아이엔티코리아	소재지	경기도 군포시 당정로60번길 24 (당정동,2층)																																
대표자	이 형 곤	전화	031-465-5374	팩스	031-465-5375																														
안전밸브 구분	모델명	제조번호	밸브형식	리프트형식	호칭지름	호칭압력																													
	ISV - 08A	-	GL I 1 / GL I 3	양정식	8A(PT1/4")	3 Mpa 이하																													
특 성	적용유체	설정압력		분출정지압력	분출차압력																														
	압축공기	아래 표 참조		설정압력 - 분출차압력	설정압력의 10%이하																														
	사용온도범위	허용초과압력		공칭분출량	외형 치수 (LxH)																														
	-20 ~ 120℃	+10%		아래 표 참조	55 x 15																														
재료	밸브상자	디스크	시트	스프링	기타부분																														
	황동(C3604BD-F)	황동(C3604BD-F)	VITON	SWP-B	탄소강																														
설정압력별 공칭분출량	<table border="1" style="width: 100%; border-collapse: collapse;"> <thead> <tr> <th colspan="2" style="text-align: center;">설정압력</th> <th rowspan="2" style="text-align: center;">공칭분출량 (kg/hr)</th> </tr> <tr> <th style="text-align: center;">kg/cm<sup>2</sup>G</th> <th style="text-align: center;">Mpa</th> </tr> </thead> <tbody> <tr><td style="text-align: center;">8.0</td><td style="text-align: center;">0.78</td><td style="text-align: center;">89.9</td></tr> <tr><td style="text-align: center;">8.5</td><td style="text-align: center;">0.83</td><td style="text-align: center;">95.5</td></tr> <tr><td style="text-align: center;">8.8</td><td style="text-align: center;">0.86</td><td style="text-align: center;">98.8</td></tr> <tr><td style="text-align: center;">9.5</td><td style="text-align: center;">0.93</td><td style="text-align: center;">106.7</td></tr> <tr><td style="text-align: center;">9.9</td><td style="text-align: center;">0.97</td><td style="text-align: center;">111.2</td></tr> <tr><td style="text-align: center;">10.8</td><td style="text-align: center;">1.06</td><td style="text-align: center;">121.3</td></tr> <tr><td style="text-align: center;">12.0</td><td style="text-align: center;">1.18</td><td style="text-align: center;">134.8</td></tr> <tr><td style="text-align: center;">15.0</td><td style="text-align: center;">1.47</td><td style="text-align: center;">168.5</td></tr> </tbody> </table>						설정압력		공칭분출량 (kg/hr)	kg/cm <sup>2</sup> G	Mpa	8.0	0.78	89.9	8.5	0.83	95.5	8.8	0.86	98.8	9.5	0.93	106.7	9.9	0.97	111.2	10.8	1.06	121.3	12.0	1.18	134.8	15.0	1.47	168.5
	설정압력		공칭분출량 (kg/hr)																																
	kg/cm <sup>2</sup> G	Mpa																																	
	8.0	0.78	89.9																																
	8.5	0.83	95.5																																
	8.8	0.86	98.8																																
	9.5	0.93	106.7																																
	9.9	0.97	111.2																																
	10.8	1.06	121.3																																
	12.0	1.18	134.8																																
15.0	1.47	168.5																																	
* 공칭분출량의 온도조건은 40℃																																			

## 안전밸브 사양서

제조사	(주)아이엔티코리아	소재지	경기도 군포시 당정로60번길 24 (당정동,2층)																																
대표자	이 형 곤	전화	031-465-5374	팩스	031-465-5375																														
안전밸브 구분	모델명	제조번호	밸브형식	리프트형식	호칭지름	호칭압력																													
	ISV - 15A	-	GL I 1 / GL I 3	양정식	15A(PT1/2")	3 Mpa 이하																													
특 성	적용유체	설정압력		분출정지압력		분출차압력																													
	압축공기	아래 표 참조		설정압력 - 분출차압력		설정압력의 10%이하																													
	사용온도범위	허용초과압력		공칭분출량		외형 치수 (LxH)																													
	-20 ~ 120℃	+10%		아래 표 참조		76 x 22																													
재료	밸브상자	디스크	시트	스프링	기타부분																														
	황동(C3604BD-F)	황동(C3604BD-F)	VITON	SWP-B	탄소강																														
설정압력별 공칭분출량	<table border="1" style="width: 100%; border-collapse: collapse;"> <thead> <tr> <th colspan="2" style="text-align: center;">설정압력</th> <th rowspan="2" style="text-align: center;">공칭분출량 (kg/hr)</th> </tr> <tr> <th style="text-align: center;">kg/cm<sup>2</sup>G</th> <th style="text-align: center;">Mpa</th> </tr> </thead> <tbody> <tr><td style="text-align: center;">8.0</td><td style="text-align: center;">0.78</td><td style="text-align: center;">265.1</td></tr> <tr><td style="text-align: center;">8.5</td><td style="text-align: center;">0.83</td><td style="text-align: center;">281.7</td></tr> <tr><td style="text-align: center;">8.8</td><td style="text-align: center;">0.86</td><td style="text-align: center;">291.6</td></tr> <tr><td style="text-align: center;">9.5</td><td style="text-align: center;">0.93</td><td style="text-align: center;">314.8</td></tr> <tr><td style="text-align: center;">9.9</td><td style="text-align: center;">0.97</td><td style="text-align: center;">328.1</td></tr> <tr><td style="text-align: center;">10.8</td><td style="text-align: center;">1.06</td><td style="text-align: center;">340.3</td></tr> <tr><td style="text-align: center;">12.0</td><td style="text-align: center;">1.18</td><td style="text-align: center;">378.1</td></tr> <tr><td style="text-align: center;">15.0</td><td style="text-align: center;">1.47</td><td style="text-align: center;">472.6</td></tr> </tbody> </table>						설정압력		공칭분출량 (kg/hr)	kg/cm <sup>2</sup> G	Mpa	8.0	0.78	265.1	8.5	0.83	281.7	8.8	0.86	291.6	9.5	0.93	314.8	9.9	0.97	328.1	10.8	1.06	340.3	12.0	1.18	378.1	15.0	1.47	472.6
	설정압력		공칭분출량 (kg/hr)																																
	kg/cm <sup>2</sup> G	Mpa																																	
	8.0	0.78	265.1																																
	8.5	0.83	281.7																																
	8.8	0.86	291.6																																
	9.5	0.93	314.8																																
	9.9	0.97	328.1																																
	10.8	1.06	340.3																																
	12.0	1.18	378.1																																
15.0	1.47	472.6																																	
* 공칭분출량의 온도조건은 40℃																																			



## 안전밸브 사양서

제조사	(주)아이엔티코리아	소재지	경기도 군포시 당정로60번길 24 (당정동,2층)																																
대표자	이 형 곤	전화	031-465-5374	팩스	031-465-5375																														
안전밸브 구분	모델명	제조번호	밸브형식	리프트형식	호칭지름	호칭압력																													
	ISV - 20B	-	GL I 1 / GL I 3	양정식	20A(PT3/4")	3 Mpa 이하																													
특 성	적용유체	설정압력		분출정지압력	분출차압력																														
	압축공기	아래 표 참조		설정압력 - 분출차압력	설정압력의 10%이하																														
	사용온도범위	허용초과압력		공칭분출량	외형 치수 (LxH)																														
	-20 ~ 120℃	+10%		아래 표 참조	106 x 27																														
재료	밸브상자	디스크	시트	스프링	기타부분																														
	황동(C3604BD-F)	황동(C3604BD-F)	VITON	SWP-B	탄소강																														
설정압력별 공칭분출량	<table border="1" style="width: 100%; border-collapse: collapse;"> <thead> <tr> <th colspan="2" style="text-align: center;">설정압력</th> <th rowspan="2" style="text-align: center;">공칭분출량 (kg/hr)</th> </tr> <tr> <th style="text-align: center;">kg/cm<sup>2</sup>G</th> <th style="text-align: center;">Mpa</th> </tr> </thead> <tbody> <tr><td style="text-align: center;">8.0</td><td style="text-align: center;">0.78</td><td style="text-align: center;">487.4</td></tr> <tr><td style="text-align: center;">8.5</td><td style="text-align: center;">0.83</td><td style="text-align: center;">517.9</td></tr> <tr><td style="text-align: center;">8.8</td><td style="text-align: center;">0.86</td><td style="text-align: center;">536.2</td></tr> <tr><td style="text-align: center;">9.5</td><td style="text-align: center;">0.93</td><td style="text-align: center;">578.8</td></tr> <tr><td style="text-align: center;">9.9</td><td style="text-align: center;">0.97</td><td style="text-align: center;">603.2</td></tr> <tr><td style="text-align: center;">10.8</td><td style="text-align: center;">1.06</td><td style="text-align: center;">605.4</td></tr> <tr><td style="text-align: center;">12.0</td><td style="text-align: center;">1.18</td><td style="text-align: center;">672.6</td></tr> <tr><td style="text-align: center;">15.0</td><td style="text-align: center;">1.47</td><td style="text-align: center;">840.8</td></tr> </tbody> </table>						설정압력		공칭분출량 (kg/hr)	kg/cm <sup>2</sup> G	Mpa	8.0	0.78	487.4	8.5	0.83	517.9	8.8	0.86	536.2	9.5	0.93	578.8	9.9	0.97	603.2	10.8	1.06	605.4	12.0	1.18	672.6	15.0	1.47	840.8
	설정압력		공칭분출량 (kg/hr)																																
	kg/cm <sup>2</sup> G	Mpa																																	
	8.0	0.78	487.4																																
	8.5	0.83	517.9																																
	8.8	0.86	536.2																																
	9.5	0.93	578.8																																
	9.9	0.97	603.2																																
	10.8	1.06	605.4																																
	12.0	1.18	672.6																																
15.0	1.47	840.8																																	
* 공칭분출량의 온도조건은 40℃																																			

제 2012-BL-0013-1 호



# 안 전 인 증 서

(주)아이엔티코리아

경기도 군포시 당정로60번길 24 (당정동,2층)

위 사업장에서 제조하는 아래의 품목이 「산업안전보건법」 제34조 및 같은 법 시행규칙 제58조의4에 따른 안전인증 심사결과 안전·보건 기준에 적합하므로 안전인증표시의 사용을 인증합니다.

## 품 목

압력용기 압력방출용 안전밸브

## 형식·모델/용량·등급/인증번호

형식·모델	용량·등급	인증번호
ISV-08A	GL I 1	12-AV2BL-0013

## 인 증 기 준

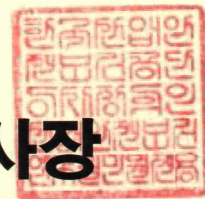
방호장치 의무안전인증 고시(고용노동부고시 제2010-36호)

## 인 증 조 건

아래 주소에서 생산되는 제품에 한함.

(주)아이엔티코리아, 경기도 군포시 당정로60번길 22(당정동)

2014년 08 월 07 일



# 한국산업안전보건공단 이사장

[변경내역]

2012.04.23 : 최초 인증서 발행

2014.08.07 : 본사 주소지 변경에 따른 재발급

제 2012-BL-0021-1 호



# 안 전 인 증 서

(주)아이엔티코리아

경기도 군포시 당정로60번길 24 (당정동,2층)

위 사업장에서 제조하는 아래의 품목이 「산업안전보건법」 제34조 및 같은 법 시행규칙 제58조의4에 따른 안전인증 심사결과 안전·보건 기준에 적합하므로 안전인증표시의 사용을 인증합니다.

## 품 목

압력용기 압력방출용 안전밸브

## 형식·모델/용량·등급/인증번호

형식·모델	용량·등급	인증번호
ISV-15A	GL I 1	12-AV2BL-0021

## 인 증 기 준

방호장치 의무안전인증 고시(고용노동부고시 제2010-36호)

## 인 증 조 건

아래 주소에서 생산되는 제품에 한함.

(주)아이엔티코리아, 경기도 군포시 당정로60번길 22(당정동)

2014년 08 월 07 일



# 한국산업안전보건공단 이사장

[변경내역]

2012.06.21 : 최초 인증서 발행

2014.08.07 : 본사 주소지 변경에 따른 재발급

제 2012-BL-0031-1 호



# 안 전 인 증 서

(주)아이엔티코리아

경기도 군포시 당정로60번길 24 (당정동,2층)

위 사업장에서 제조하는 아래의 품목이 「산업안전보건법」 제34조 및 같은 법 시행규칙 제58조의4에 따른 안전인증 심사결과 안전·보건 기준에 적합하므로 안전인증표시의 사용을 인증합니다.

## 품 목

압력용기 압력방출용 안전밸브

## 형식·모델/용량·등급/인증번호

형식·모델	용량·등급	인증번호
ISV-20B	GL I 1	12-AV2BL-0031

## 인 증 기 준

방호장치 의무안전인증 고시(고용노동부고시 제2010-36호)

## 인 증 조 건

아래 주소에서 생산되는 제품에 한함.

(주)아이엔티코리아, 경기도 군포시 당정로60번길 22(당정동)

2014년 08 월 07 일



# 한국산업안전보건공단 이사장

[변경내역]

2012.07.24 : 최초 인증서 발행

2014.08.07 : 본사 주소지 변경에 따른 재발급

# JSV-LT12 型 저양정식 안전밸브

## LOW LIFT TYPE SAFETY RELIEF VALVE

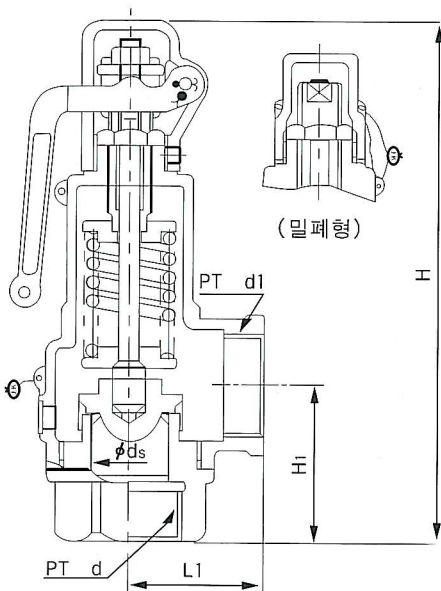


주로 소형 보일러, 각종 압력용기, 계장기기 등의 SAFETY VALVE, 펌프의 RELIEF VALVE로 사용되고 있습니다.

### ■ 특 징

1. 콤팩트 한 설계로 제작되어 소형, 경량이므로 배관이 용이합니다.
2. 구조가 간단하고 확실한 작동을 하며 보수관리가 용이합니다.
3. 시트와 디스크는 황동단조로 되어 있으며 정밀 가공하여 누설이 없습니다.
4. 조정 스프링은 재료의 최대 허용응력 범위내에서 제작 되었으므로 작동이 확실합니다.
5. 한국산업안전공단에 검정을 필한 제품입니다.

### ■ 구조도



### ■ 치수표

Unit:mm

기호 규격	d	ds	L	Hi	H	양정 l (Lift)	입 구 Inlet	출 구 Outlet
15A	20	21	35	45	142	1.0	PT 1/2"	PT 3/4"
20A	20	21	35	45	144	1.0	PT 3/4"	PT 3/4"
25A	25	26	41	49	155	1.7	PT 1"	PT 1"
32A	32	33	45	58	173	2.2	PT 1 1/4"	PT 1 1/4"
40A	40	41	55	64	198	2.3	PT 1 1/2"	PT 1 1/2"
50A	50	51	70	74	220	2.5	PT 2"	PT 2"

■ 배출용량은 Page 15를 참조 하십시오.

### ■ 사 양

형 식	적 용 유 체	적용압력 kgf/cm <sup>2</sup> {MPa}	최 고 온 도 (°C)	재 질		접 속	몸통수압 시 험
				본체및주요부	덮 개		
레 바 형	증기, 공기 액체	0.35~1.0 {0.035~0.1}	220	FORGED BRASS	CAST BRONZE	KS B 0222 관용 테이퍼 나사 규격에 따름	22kgf/cm <sup>2</sup> {2.2MPa}
밀 폐 형		1.0~2.0 {0.1~0.2}					
		2~4 {0.2~0.4}					
		4~7 {0.4~0.7}					
		7~11 {0.7~1.1}					



# 안 전 인 증 서

## 조광아이엘아이(주)

부산시 강서구 송정동 1650 - 8번지

위 사업장에서 제조하는 아래의 품목이 「산업안전보건법」 제34조 및 같은 법 시행규칙 제58조의4에 따른 안전인증 심사결과 안전·보건 기준에 적합하므로 안전인증표시의 사용을 인증합니다.

### 품 목

압력용기 압력방출용 안전밸브

### 형식·모델/용량·등급/인증번호

형식·모델		용량·등급	인증번호
기본	JSV-LT14	GL I 1	09-AV2BL-0024
동일형식	JSV-HT41, JSV-LT12 JSV-HF12, JSV-HF13		

### 인 증 기 준

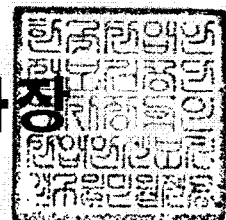
안전장치 의무안전인증 고시(노동부고시 제2008-76호)

### 인 증 조 건

“부산시 강서구 송정동 1650 - 8번지”에서 생산되는 제품에 한함

2010 년 1 월 4 일

## 한국산업안전보건공단 이사장



[변경내역]

2009.09.30 : 최초 인증서 발행

2010.01.04 : 안전인증변경 신고(동일형식 추가)에 따른 재발급

### 5.3,3 PRESSURE GAUGE

ITEM NO : JIN-100-V-2

#### A. GENERAL SPECIFICATION

- |                        |                              |
|------------------------|------------------------------|
| 1) TYPE                | : A TYPE (BOURDON TUBE TYPE) |
| 2) MAKE                | : MyungSung Hyoda or EQ      |
| 3) MODEL NO            | : MS-1111 or EQ              |
| 4) CONNECTION SIZE     | : 3/8"                       |
| 5) CONNECTION LOCATION | : NOZZLE NO. N3              |
| 6) PRESSURE RANGE      | : 0-1.5Mpa                   |
| 7) DIAL SIZE           | : 100 mm                     |
| 8) ENCLOSURE           | : GENERAL TYPE               |
| 9) ACCURACY            | : $\pm 1.5\%$ of F.S         |

#### B. MATERIAL

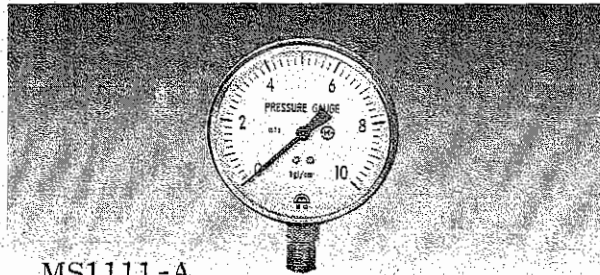
- |                 |                |
|-----------------|----------------|
| 1) CASE & COVER | : CARBON STEEL |
| 2) BOURDON TUBE | : BRASS        |
| 3) SOCKET       | : CARBON STEEL |
| 4) MOVEMENT     | : CARBON STEEL |



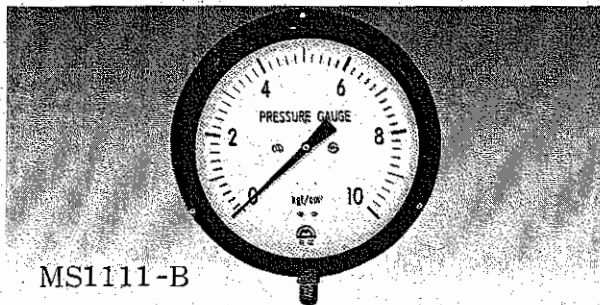
明星計器

# 일반 압력계 General type pressure gauge

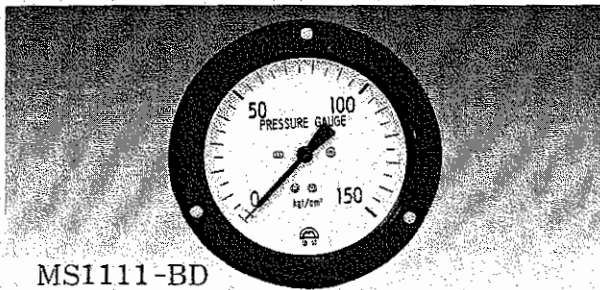
MODEL NO:MS-1100 SERIES



MS1111-A



MS1111-B



MS1111-BD

## 적용범위(Application)

각종 현장의 일반적인 설비의 압력측정 및 감시용으로 쓰임.

## 특징(Features)

- 일반적인 압력측정용으로 가격이 저렴하며, 구매 사용이 매우 손쉽다.
- 압력크기 외형사이즈 등 모든 사양이 다양하며, 비교적 정확한 측정을 할수 있다.

## 표준사양(Standard specifications)

Model No	Dial size	Case	상 용 압 력	Screw	Accuracy
MS-1111	40 φ	A, D	0~1kgf/cm <sup>2</sup>   0~350kgf/cm <sup>2</sup>	PF. 1/4, 3/8	±1.5 %  ± 3.0 %
	50 φ				
	60 φ	A, BD			
	75 φ				
	100 φ				
	150 φ	A			
200 φ	B				



## 6. STRENGHT CALCULATION

ITEM NO : JIN-100-V-2

No	DESCRIPTION	PAGE	REMARK
1	SHELL CALCULATION		
2	HEAD CALCULATION		
3	SKIRT CALCULATION		
4	LIFTING CALCULATION		
5	NOZZLE PAD CALCULATION		

## 6.1 SHELL THICKNESS CALCULATION

===== DESIGN CONDITION =====

DESIGN PRESSURE	: P	0.98	Mpa
DESIGN TEMPERATURE	: T	75	°C
INSIDE RADIUS (CORRODED)	: R	195.00	mm
EQUIPMENT MATERIAL	:	SS275	
JOINT EFFICIENCY(CIRCUMFERENTIAL STRESS)	: E	0.70	
JOINT EFFICIENCY(LONGITUDINAL STRESS)	: E	0.65	
ALLOWABLE STRESS	: S	114.00	N/mm <sup>2</sup>
CORROSION ALLOWANCE	: α	1.00	mm
MIN. SHELL THICKNESS(THE GREATER OF tc1,tc2)	: Tc	3.41	mm
USED SHELL THICKNESS	: ta	4.00	mm
MAX' ALLOWABLE WORKING PRESSURE	: Pa	1.216	Mpa

6.1.1 MIN. CALCULATED SHELL THICKNESS(CIRCUMFERENTIAL STRESS) : Tc1

$$T_{c1} = \frac{P \times R}{S \times E - 0.6 \times P} + \alpha$$

$$= \frac{0.98 \times 195}{114 \times 0.7 - 0.6 \times 0.98} + 1 = 3.41 \text{ mm}$$

6.1.2 MIN. CALCULATED SHELL THICKNESS(LONGITUDINAL STRESS) : Tc2

$$T_{c2} = \frac{P \times R}{2 \times S \times E + 0.4 \times P} + \alpha$$

$$= \frac{0.98 \times 195}{114 \times 2 \times 0.65 + 0.4 \times 0.98} + 1 = 2.28 \text{ mm}$$

---

 USED THICKNESS : 4.00 mm

6.1.3 MAX' ALLOWABLE WORKING PRESSURE : Pa

$$P_a = \frac{S \times E \times (t_a - \alpha)}{R + 0.6 \times (t_a - \alpha)}$$

$$= \frac{114 \times 0.7 \times (4 - 1)}{195 + 0.6 \times (4 - 1)} = 1.216 \text{ Mpa}$$

## 6.2 ELLIPSE HEAD THICKNESS CALCULATION

===== DESIGN CONDITION =====

DESIGN PRESSURE	: P	0.98 Mpa
DESIGN TEMPERATURE	: T	75 °C
INSIDE DIAMETER (CORRODED)	: D	388.0 mm
EQUIPMENT MATERIAL	:	SS275
JOINT EFFICIENCY	: E	0.85
ALLOWABLE STRESS	: S	114.00 N/mm <sup>2</sup>
CORROSION ALLOWANCE	: α	1.00 mm
MIN. SHELL THICKNESS	: Tc	2.96 mm
USED SHELL THICKNESS	: ta	4.00 mm
MAX' ALLOWABLE WORKING PRESSURE	: Pa	1.49 Mpa

6.2.1 MIN. CALCULATED HEAD THICKNESS : Tc

$$T_c = \frac{P \times D}{2 \times S \times E - 0.2 \times P} + \alpha$$

$$= \frac{0.98 \times 388}{2 \times 114 \times 0.85 - 0.2 \times 0.98} + 1 = 2.96 \text{ mm}$$

USED THICKNESS	:	4.00 mm
AFTER FORMING TH'K	:	3.40 mm

6.2.2 MAX' ALLOWABLE WORKING PRESSURE : Pa

$$P_a = \frac{2 \times S \times E \times (t_a - \alpha)}{D - 0.2 \times (t_a - \alpha)}$$

$$= \frac{2 \times 114 \times 0.85 \times (4 - 1)}{388 + 0.2 \times (4 - 1)} = 1.49 \text{ Mpa}$$

**6.3 FIBER ELOGATION CHECK**

## 6.3.1 DESIGN CONDITIONS

CURVATURE	:	SHELL
THICKNESS OF SHELL	: t	4.00 mm
INSIDE DIAMETER OF VESSEL	: D	388.00 mm
FINAL CENTER LINE RADIUS ( $D/2 + t/2$ )	: Rf	196.00 mm
ORIGINAL CENTER LINE RADIUS	: Ro	$\infty$ mm

6.3.2 EXTREME FIBER ELOGATION IS MORE THAN 5%,  
HEAT TREATMENT IS REQUIRED ANY OF THE FOLLOWING CONDITIONS

1) CONTAIN LETHAL SUBSTANCE	:	NO
2) IMPACT TEST REAUINED MATERIAL	:	NO
3) THICKNESS EXCEED 16mm	:	NO
4) FORMING REDUCTION MORE THAN 10%	:	NO
5) FORMIG TEMP. RANGE 120 - 480 Deg.C	:	NO

FOR P-NO.1 GROUP NOS.1 AND 2 MATERIALS THE EXTREME FIBER ELONGATION MAY BE AS GREATER AS 40% WHEN NONE OF THE CONDATIONS. LISTED ABOVE IN (1) THROUGH (5) EXIST.

## 6.3.3 DETERMINED EXTREME FIBER ELOGATION

$$( 50t / Rf ) \times ( 1 - Rf / Ro ) = 1.02 \% < 5.0 \%$$

\* THEREFORE, HEAT TREATMENT IS NOT REQUIRED

**6.4 FIBER ELOGATION CHECK**

## 6.4.1 DESIGN CONDITIONS

CURVATURE	:	HEAD
THICKNESS OF SHELL	: t	4.00 mm
INSIDE DIAMETER OF VESSEL	: D	388.00 mm
FINAL CENTER LINE RADIUS ( $0.1727xD + t/2$ )	: Rf	69.01 mm
ORIGINAL CENTER LINE RADIUS	: Ro	$\infty$ mm

6.4.2 EXTREME FIBER ELOGATION IS MORE THAN 5%,  
HEAT TREATMENT IS REQUIRED ANY OF THE FOLLOWING CONDITIONS

1) CONTAIN LETHAL SUBSTANCE	:	NO
2) IMPACT TEST REAUINED MATERIAL	:	NO
3) THICKNESS EXCEED 16mm	:	NO
4) FORMING REDUCTION MORE THAN 10%	:	YES
5) FORMIG TEMP. RANGE 120 - 480 Deg.C	:	NO

FOR P-NO.1 GROUP NOS.1 AND 2 MATERIALS THE EXTREME FIBER ELONGATION MAY BE AS GREATER AS 40% WHEN NONE OF THE CONDATIONS. LISTED ABOVE IN (1) THROUGH (5) EXIST.

## 6.4.3 DETERMINED EXTREME FIBER ELOGATION

$$( 75t / Rf ) \times ( 1 - Rf / Ro ) = 4.35 \% < 5.0 \%$$

\* THEREFORE, HEAT TREATMENT IS NOT REQUIRED

**6.5 SKIRT CALCULATION SHEET**

## 6.5.1 DESIGN CONDITIONS

DESIGN PRESSURE	: P	0.98	Mpa
SHAPE FACTOR	: Ce	0.70	
EARTHQUAKE FACTOR	: F	0.37	
DESIGN TEMPERATURE	: T	75.00	°C
SHELL THICKNESS	: t	4.00	mm
SHELL OUT DIAMETER(Di+2t)	: Do	396.00	mm
TOTAL HEIGHT OE VESSEL	: Lt	1155.00	mm
HEIGHT OF VESSEL CENTER LINE TO BASE	: Hv	665.00	mm
OPERATING WEIGHT OF VESSEL	: W	490.00	N
SECTION AREA OF VESSEL $A = Do^2 \times Lt$	: A	=	1.15 m <sup>2</sup>
$Do1 = (Di+ts+\alpha) \times 1.2 = (0.388 + 0.004 + 0.001) \times 1.2$	=	=	0.47 m
$Do2 = (Di+ts+\alpha) + 0.6 = (0.388 + 0.004 + 0.001) + 0.6$	=	=	0.99 m
WIND SPEED PRESSURE(45m/sec)-TABLE 5-3 REFFERENCE	: Qs	1226.00	N/m <sup>2</sup>
MAXIMUM MOMENT	: M	909.81	N.m
ECCENTRIC MOMENT	: Me	0.00	N.m

## \* SKIRT CONDITIONS

MODEL MEAN DIAMETER(Dm+ts+α)	: Dm	322.00	mm
SKIRT INSIDE DIAMETER	: Ds	318.00	mm
OPENING WIDTH	: Y	100.00	mm
OPENING HOLE Q'TY	: N1	3.00	EA
THICKNESS	: ts	4.00	mm
MATERIAL	:	SS275	
DESIGN TEMPERATURE - ALLOWABLE STRESS	: Suo	114.00	N/mm <sup>2</sup>
- YIELD POINT	: Syo	230.00	N/mm <sup>2</sup>
- ELASTIC MEDULUS	: Eo	208000.00	N/mm <sup>2</sup>
AMB. TEMPERATURE - ALLOWABLE STRESS	: Su	114.00	N/mm <sup>2</sup>
- YEILD POINT	: Sy	230.00	N/mm <sup>2</sup>
- ELASTIC MODULUS	: E	208000.00	N/mm <sup>2</sup>

## \* BASE PLATE CONDITIONS

WIDTH (LARGE SIZE)	: D3	440.00	mm
WIDTH (SMALL SIZE)	: D1	318.00	mm
LARGE WIDTH OF INNER OR COTER	: l	59.00	mm
THICKNESS	: tp	6.00	mm
MATERIAL	:	SS275	
ALLOWABLE STRESS	: Sup	114.00	N/mm <sup>2</sup>
YIELD POINT	: Syp	230.00	N/mm <sup>2</sup>

## \* ANCHOR BOLT CONDITIONS

BOLT CIRCLE DIAMETER	: BCD	390.00	mm
BOLT Q'TY	: N	3.00	EA
BOLT HOLE SIZE	: d	12.00	mm
USE BOLT SIZE	: UBS	10.00	mm
EFFECTIVE DIAMETER	: di	8.38	mm
MATERIAL	:	SS275	
YIELD POINT	: Syb	120.00	N/mm <sup>2</sup>
ALLOWABLE DURABILITY OF CONCRETE(1.2kgf/mm <sup>2</sup> x9.8)	: fcon	11.76	N/mm <sup>2</sup>

## 6.5.2 MAXIMUM MOMENT CALCULATION (M)

2.1 WIND LOAD, **F<sub>w</sub>**

$$F_w = C_e \times C_q \times Q_s \times I_w \times A = 0.7 \times 1.39 \times 1226 \times 1 \times 1.15 = 1368.15$$

2.2 WIND MOMENT, **F<sub>mw</sub>**

$$F_{mw} = F_w \times H_v = 1368.15 \times 0.665 = 909.81 \text{ N.m}$$

2.3 SEISMIC LOAD, **F<sub>s</sub>**

$$F_s = W \times F = 490 \times 0.37 = 181.30 \text{ N}$$

2.4 SEISMIC MOMENT, **F<sub>ms</sub>**

$$F_{ms} = F_s \times H_v = 181.3 \times 0.665 = 120.56 \text{ N.m}$$

2.5 MAXIMUM MOMENT, **M**

$$M = \text{The larger value of } F_{mw} = 909.81 \text{ N.m}$$

## 6.5.3 SKIRT CALCULATION

## 3.1 ALLOWABLE COMPRESSION STRESS

$$\sigma_a = \frac{0.3 \times E_o \times t_s}{\{1 + 0.004 \times (E_o/S_y)\} \times D_m}$$

$$= \frac{0.3 \times 208000 \times 4}{\{1 + 0.004 \times (208000/230)\} \times 322} = 167.87 \text{ N/mm}^2$$

## 3.2 VERTICAL LOAD PER CIRCUMFERENCE

## 3.2.1 LOAD STRESS

$$\sigma_w = \frac{W}{\pi \times D_m \times (t_s - \alpha) - (Y \times N_1) \times (t_s - \alpha)}$$

$$= \frac{490.00}{\pi \times 322 \times (4 - 0) - (100 \times 3) \times (4 - 0)} = 0.17 \text{ N/mm}^2$$

## 3.2.2 BUCKLING LOAD

$$\sigma_b = \pm \frac{1000 \times M}{Z} = \pm \frac{1000 \times 909.81}{261,332.893} = \pm 3.48 \text{ N/mm}^2$$

$$Z = \frac{I}{D_m/2} = \frac{\pi D_m^2 t_s}{4} - \frac{D_m Y t_s}{2}$$

$$= \frac{\pi \times 322^2 \times 4}{4} - \frac{322 \times 100 \times 4}{2} = 261332.89 \text{ mm}^3$$

## 3.2.3 COMPRESS STRESS

$$\sigma_p = \frac{P \times D_m}{400 \times t_s} = \frac{0.98 \times 322}{400 \times 4} = 0.20 \text{ N/mm}^2$$

$$\ast \text{ NON-INTERNAL COMPRESS} = 0.00 \text{ N/mm}^2$$

## 3.3 COMPOSITE COMPRESSION STRESS OF SKIRT

## 3.3.1 COMPOSITION TENSILE STRESS

$$\sigma_t = \sigma_p - \sigma_w + \sigma_b = 0.2 - 0.17 + 3.48 = 3.51 \text{ N/mm}^2$$

$$\begin{aligned} \text{** RESULT } \sigma_t &\leq \delta f : 3.51 \text{ N/mm}^2 \leq 109.76 \text{ N/mm}^2 && \text{-----OK !} \\ \text{ALLOWABLE STRESS ( } \delta f &= 16\text{kgf/mm}^2 \times \eta \times 9.8) && = 109.76 \text{ N/mm}^2 \end{aligned}$$

## 3.3.2 COMPOSITION COMPRESSION STRESS

$$\sigma_c = -\sigma_p + \sigma_w + (\sigma_b/\text{SQRT}(2)) = -0.2 + 0.17 + (3.48/\text{SQRT}(2)) = 2.44 \text{ N/mm}^2$$

$$\text{** RESULT } \sigma_c \leq \sigma_a : 2.44 \text{ N/mm}^2 \leq 167.87 \text{ N/mm}^2 \text{-----OK !}$$

## 6.5.4 ANCHOR BOLT AND PLATE CALCULATION

## 4.1 ALLOWABLE TENSILE STRESS OF ANCHOR BOLT(NON-INTERNAL TENSILE) ( fb)

$$f_b = 16\text{kgf/mm}^2 \times 9.8 = 156.80 \text{ N/mm}^2$$

## 4.2 TENSILE STRESS OF ANCHOR BOLT AND RESULT

## 4.2.1 SECTION AREA (A)

$$A = \pi \times d_i^2 / 4 = \pi \times 8.378^2 / 4 = 55.13 \text{ mm}^2$$

## 4.2.2 TENSILE STRESS (Sb)

$$\begin{aligned} S_b &= \frac{1}{N \times A} \times \left\{ \frac{4000 \times M}{BCD} - W \right\} \\ &= \frac{1}{3 \times 55.128} \times \left\{ \frac{4000 \times 909.81}{390.0} - 490 \right\} = 53.46 \text{ N/mm}^2 \end{aligned}$$

$$\text{** RESULT } S_b \leq f_b : 53.46 \text{ N/mm}^2 \leq 156.8 \text{ N/mm}^2 \text{-----OK !}$$

## 4.3 BENDING STRESS OF BASE PLATE

## 4.3.1 SECTION AREA (A1)

$$A_1 = 0.7854 \times (D_3^2 - D_1^2) = 76,688.81 \text{ mm}^2$$

## 4.3.2 SECTION MODULS (Z1)

$$Z_1 = \pi (D_3^4 - D_1^4) / 32 \times D_3 = 3,153,307.56 \text{ mm}^3$$

## 4.3.3 COMPRESSION LOAD (B)

$$\begin{aligned} B &= [1000 \times (M + M_e) / Z_1] + (W / A_1) \\ &= [1000 \times (909.81 + 0) / 3153307.56] + (490 / 76688.8122) = 0.29 \text{ N/mm}^2 \end{aligned}$$

$$\text{** RESULT } B \leq f_{con} : 0.29 \text{ N/mm}^2 \leq 11.76 \text{ N/mm}^2 \text{-----OK !}$$

## 4.3.4 BASE PLATE ALLOWABLE STRESS (Bp)

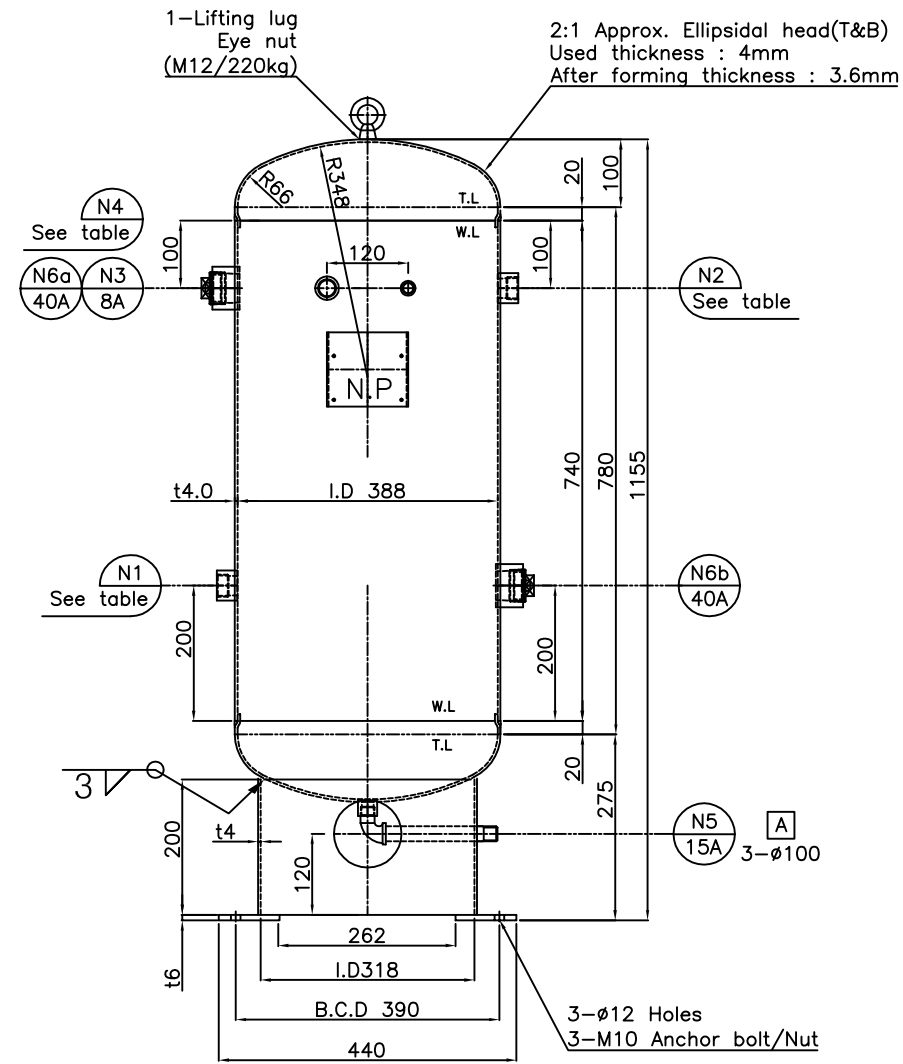
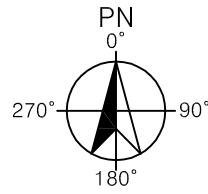
$$B_p = (3 \times l^2 \times B) / t_p^2 = (3 \times 59^2 \times 0.29) / 6^2 = 84.12 \text{ N/mm}^2$$



7. DRAWING

ITEM NO : JIN-100-V-2

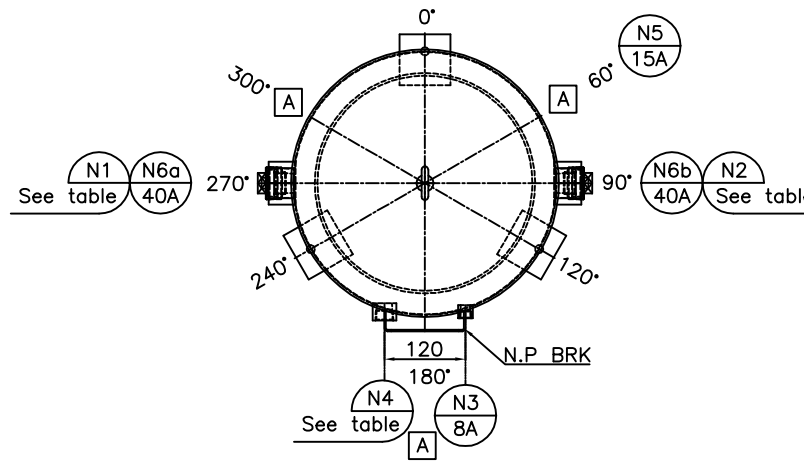
No	DESCRIPTION	DRAWING NO	REMARK
1	ASSEMBLY DETAIL DWG.	J2111100V-01	
2	NOZZLE DETAIL DWG.	J2111100V-02	
3	NAME PLATE DETAIL DWG.	J2111100V-03	



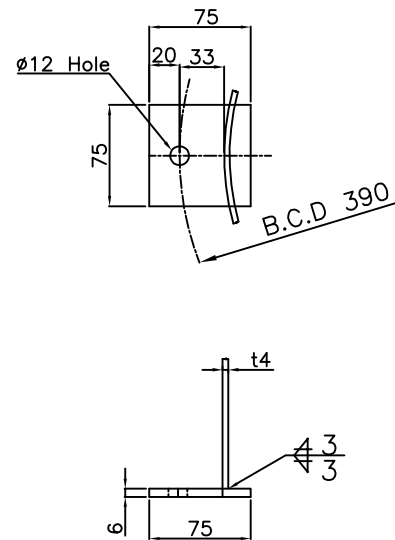
**TABLE**

N1/N2	8A	10A	15A	20A	25A	32A	40A	50A	INLET/OUTLET
N4	8A	8A	8A	15A	15A	20A	20A	32A	P.S.V

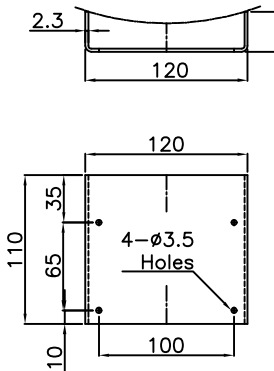
**ELEVATION**



**NOZZLE ORIENTATION**



**DETAIL OF BASE LATE**



**DETAIL OF N.P BRK**

**VESSEL DESIGN DATA**

CODE :	KS B 6750-3	REGULATION :	KOSHA		
FLUID NAME	AIR / N <sub>2</sub>	TYPE	VERTICAL		
DESIGN PRESSURE (INT./EXT.)	0.98 MPa	WIND VELOCITY (m/sec)	45 (ASCE 7-02)		
DESIGN TEMPERATURE	75 °C	SEISMIC ZONE FACTOR	ZONE 2A (UBC97)		
OPERATING PRESSURE (INT./EXT.)	0.88 MPa	INSULATION	NO		
OPERATING TEMPERATURE	40 °C	FIRE PROOFING	NO		
HYDRO. TEST PRESS	1.27 MPa	P.W.H.T	NO		
CORROSION ALLOWANCE	1.0 mm	IMPACT TEST	NO		
RADIOGRAPHY	SHELL	NO	WEIGHT		
	HEAD	SEAMLESS		ERECTION (Kg)	50
	SHELL TO HEAD	NO		EMPTY (Kg)	50
JOINT EFFICIENCY (SHELL / HEAD)		0.7-0.85 / 0.85	OPERATING (Kg)	50	
M.D.M.T	-20°C at 0.98 MPa	BULK DENSITY	FULL OF WATER (Kg)	150	
M.A.W.T	0.98 MPa at 75°C	CAPACITY		0.1 M <sup>3</sup>	

**NOZZLE TABLE**

MARK	REQ'D NO.	SIZE	CONNECTION RATING	TYPE	FACE	SERVICE	SCH.NO	PROJECTION FM VESSEL C.L
N1	1	See Table	CL.3000	HALF	COUP'G	INLET	-	SEE DWG.
N2	1	See Table	CL.3000	HALF	COUP'G	OUTLET	-	SEE DWG.
N3	1	8A	CL.3000	HALF	COUP'G	P.G	-	SEE DWG.
N4	1	See Table	CL.3000	HALF	COUP'G	P.S.V	-	SEE DWG.
N5	1	15A	CL.3000	HALF	COUP'G	DRAIN	-	SEE DWG.
N6ab	2	40A	CL.3000	HALF	COUP'G	INSPECTOR HOLE	-	SEE DWG.
A1-3	3	φ100	-	-	-	ACCESS HOLE	-	SEE DWG.

**NOTES**

- ALL DIMENSIONS ARE IN MILLIMETERS UNLESS OTHERWISE NOTED.
- SURFACE PREPARATION & PAINTING SPEC. : (C.S PART ONLY)
  - INTERNAL PART : EPOXY PRIMER 30 μm
  - EXTERNAL PART

SURFACE PREPARATION	PRIMER	INTERMEDIATE COAT	FINAL COAT	COLOR
-	(-) - μm	(-) - μm	(-) - μm	SEE NOTE *3*

**3. PAINTING COLOR**

- TANK : -

**FOR APPROVAL**

REQ'D Q'TY
- SET

REV.	DATE	DRN.	REVD.	APPR.	DESCRIPTION
△					
△					
△					
△					

CLIENT

CONTRACTOR

MANUFACTURER

**JINWOO**  
JINWOO MACHINERY CO.,LTD. KOREA

PROJECT

JOB NO.	-	TITLE	<b>JIN-100-V-2</b>
P/S NO.	-		<b>AIR RECEIVER TANK</b>
UNIT NO.	-		( 0.1m <sup>3</sup> )
SCALE	1 / 1		<b>ASSEMBLY DETAIL DWG.</b>
STATUS			
DATE	2021.11.15		
DRAWN	DGN'D	CHK'D	APP'D
DWG. NO. :	<b>J2111100V-01</b>		

**DOCUMENT STATUS**

1 : APPROVED

2 : APPROVED WITH COMMENTS  
WORK MAY PROCEED SUBJECT TO INCORPORATION OF COMMENTS

3 : REVISE AND RESUBMIT  
WORK MAY NOT PROCEED

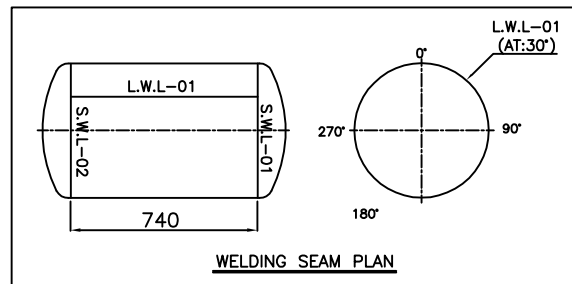
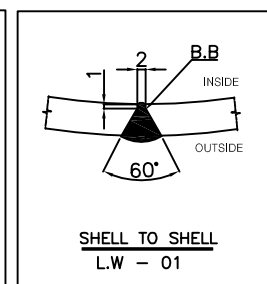
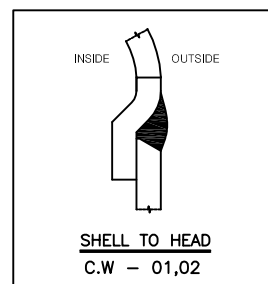
4 : RECORD ONLY

**NOTE :**

REVIEW DATE :  
ENGINEER : \_\_\_\_\_ LEAD ENGINEER : \_\_\_\_\_

MATERIAL SPECIFICATION	DESCRIPTION	GRADE
SHELL	SS275	SS275
REINF. PAD	SS275	SS275
BASE PLATE	SS275	SS275
FITTING	A105	NECK PLATE
FLANGE	-	BLIND FLANGE
NOZZLE NECK	-	COVER PLATE
BOLT/NUT	SS275	GASKET SEE NOTE *6*
NAME PLATE	ALUMINIUM	NAME PLATE BRACKET SS275
EARTH LUG	-	ANCHOR BOLT/NUT SS275
LADDER	-	PLATFORM
VORTEX BREAKER	-	INSULATION SUPPORT
STIFFENER	-	INTERNAL RUNG

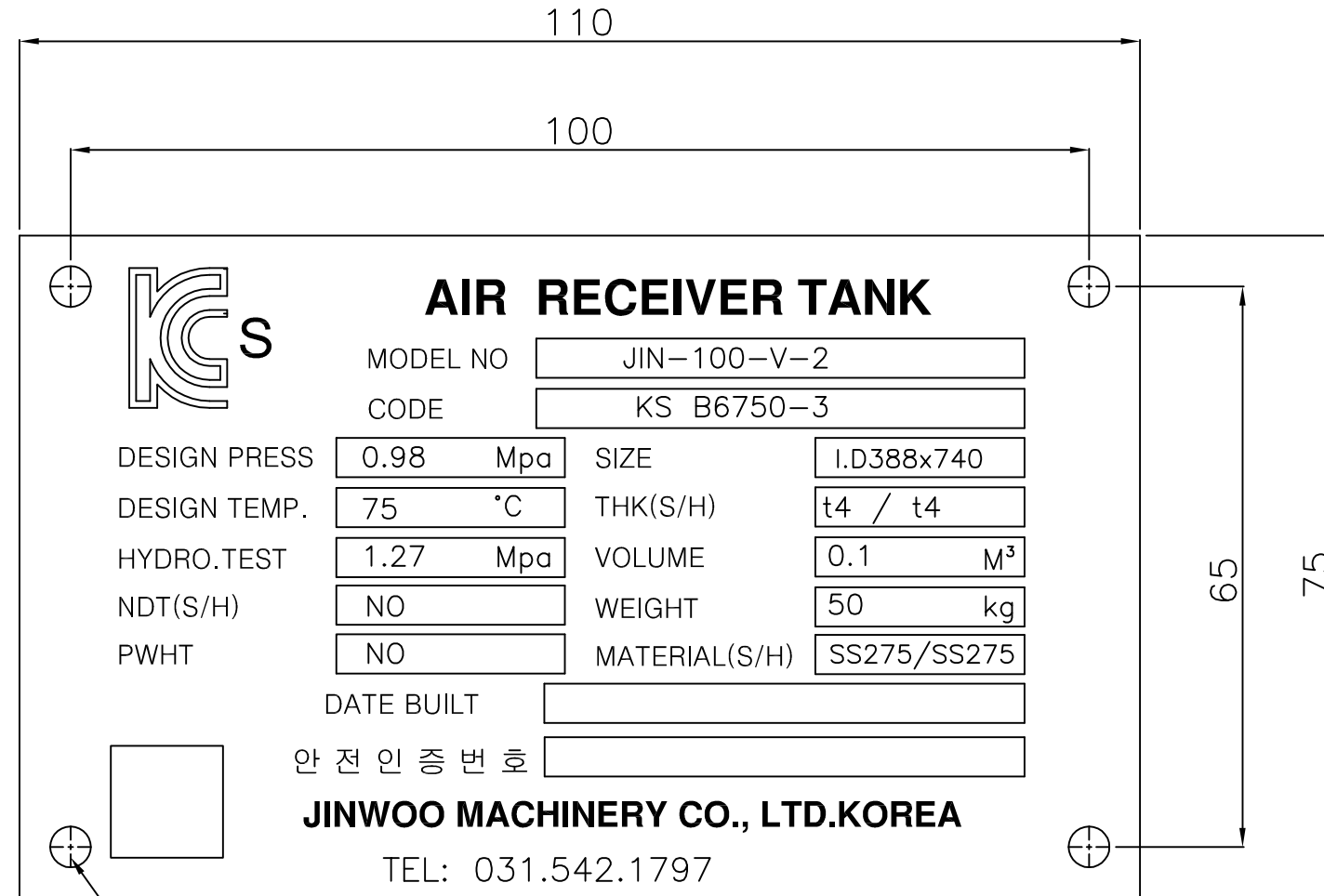
THE DRAWING AND ALL DESIGN DETAILS, INCLUDING ORDERS, DIMENSIONS, COVERED THEREBY ARE CONFIDENTIAL AND THE EXCLUSIVE PROPERTY OF JINWOO MACHINERY CO., LTD. NO PART OF THIS DRAWING OR ANY INFORMATION CONTAINED HEREIN IS TO BE REPRODUCED OR TRANSMITTED IN ANY FORM OR BY ANY MEANS, WITHOUT PERMISSION OF JINWOO MACHINERY CO., LTD.



**WELDING SEAM PLAN**



NO.	Q'TY	PART NO.	NOMENCLATURE	MATERIAL		SPECIFICATION
				KS	ASTM	



**KS**

**AIR RECEIVER TANK**

MODEL NO

CODE

DESIGN PRESS  SIZE

DESIGN TEMP.  THK(S/H)

HYDRO.TEST  VOLUME

NDT(S/H)  WEIGHT

PWHT  MATERIAL(S/H)

DATE BUILT

안전인증번호

**JINWOO MACHINERY CO., LTD.KOREA**

TEL: 031.542.1797

4-Ø3.5 Holes

△					
△					
△					
△	-	-	-	-	-
△	-	-	-	-	-
REV.	DATE	DRN.	REVD.	APPR.	DESCRIPTION
CLIENT					
CONTRACTOR					
MANUFACTURER					
<b>JINWOO</b> <b>JINWOO MACHINERY CO.,LTD. KOREA</b>					
PROJECT					
JOB NO.	-	TITLE			
P/S NO.	-	<b>JIN-100-V-2</b>			
UNIT NO.		AIR RECEIVER TANK			
SCALE	1 / 1	( 0.1m3 )			
STATUS		NAME PLATE DETAIL DWG.			
DATE	2016.04.29				
DRAWN	DGN'D	CHK'D	APP'D	DWG. NO. :	
T.W.J	Y.W.L	W.G.J	-	<b>J2111100V-03</b>	
					REV. 0

# 사용방법 설명서

형식번호 : JIN-100-V -2

제품명 : AIR RECEIVER TANK

주 소 : 경기도 포천시 가산면 마전리 429-13

연 락 처 : 031) 542-1797

F A X : 031) 542-1796

작 성 일 : 2021. 11. 25.

Rev.NO. : 1

진 우 기 체

# 목 차

1. 외 관 개 략 도
2. 설 계 조 건
3. 제 품 의 개 요
4. 운 반 및 설 치
5. 운 전 및 보 수 , 유 지
6. 수 리
7. 수 압 시 험
8. 안 전 과 환 경
9. NAME PLATE에 표 기 한 사 항
10. 사 용 자 교 육
11. 책 임



### 3. 제품의 개요

#### 1) 제품의 기능 및 성능

- 본 용기는 설계압력 0.98 Mpa(9.99Kgf/cm<sup>2</sup>), 설계온도 75.0℃로 설계제작 되었고 사용재질은 SS275/SS275으로 제작된 VERTICAL TYPE 용기이다.

- 본 용기는 용기류 압력용기에서 압축된 공기를 저장하고 분배하여 공기를 후단에 분배 공급한다.

#### 2) 제품의 구성품

- ① SAFETY VALVE
- ② PRESSURE GAUGE
- ③ TEMPERATURE GAUGE
- ④ LEVEL GAUGE
- ⑤ PLATFORM & LADDER

위 구성품은 용도상 설치 또는 미설치 할 수도 있음.

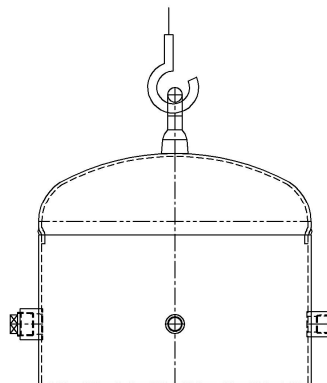
단, SAFETY VALVE는 용기에 미설치 시 배관상 에라도 차단밸브를 사용하지 않고 꼭 설치 하여야 한다. 이를 설치하지 않아 발생하는 문제는 제조사에 책임을 물을 수 없다.

### 4. 운반 및 설치

#### 1) 운반

- 제품 하차 시 반드시 LIFTING LUG를 사용하여 아래와 같이 하차하여야 한다.
- NOZZLE이나 기기의 부품을 이용하여 하차하여서는 않된다.
- 하차 후 설치 시 까지 용기는 외부의 충격으로 도장 및 방청이 파손되지 않도록 보관하여야 한다.

적용 예)





## 2) 설치

- 기초는 지질이나 주위 조건에 적합하도록 조사 후 시공하십시오.
- 설치 고정은 ANCHOR BOLT 및 SETTING BOLT의 NUT 체결순서는 대각 방향을 기준하여 완전히 조인다.
- 도면의 NOZZLE ORIENTATION(노즐방향)에 맞게 설치한다.
- 배관은 지정된 SIZE를 사용하며 내부는 완전히 FLUSHING하여 조립한다.
- 설치 전 포장이 완전히 제거 되었는지 확인하다.
- 기기 하부에 설치된 EARTH LUG에 접지를 설치한다.

## 5. 운전 및 유지 , 보수

### 1) 운전

- 설치 후 시운전 시작 전 용기 내에 이물질이 없는지 확인한다.
- 운전은 설계압력과 설계온도에 맞춰 운전 되어져야 한다.
- 설계조건보다 OVER되어 운전될시 즉각 설계조건 이하로 운전되도록 조치한다.

### 2) 유지 및 보수

- 사용중 용기에 어떠한 방법으로든 열이나 충격을 가해서는 않된다.
- 납품된 용기는 임의로 부품을 추가하거나 변경하여서는 않된다.
- 설치된 용기는 설치 후 3년이 경과하기 전에 안전검사를 받아야하며 이후 매2년 마다 안전검사를 의무적으로 받아야한다.
- 정기검사를 받지 않는 용기는 자체검사를 실시한다.
- 검사결과 부식 및 기타의 방법으로 두께감소가 설계 계산두께 이하일 경우 사용을 중지하고 새로 제작된 용기로 교체하여야 한다.
- LINNING된 압력용기는 부식누설이 있는지 TEST HOLE을 감시하여야 한다.

## 6. 수리

### 1) 수리 및 변경

- 사용 중 수리를 하고자 할 경우 제조회사에 문의를 한다.
- 사용 중 주요 구조부 (동체,경판,스커트등)에 대한 변경 또는 노즐의 추가 설치 시에는 관할지역의 한국산업안전보건공단에 변경에 대한 서면심사(설계검사)를 신청하여 승인을 득한 후 변경하여야 한다.
- 서면심사를 변경할 경우에는 관할지역의 한국산업안전보건공단에 개별제품심사를 신청하여 승인을 득한 후 사용하여야 한다.

## 7. 수압시험

1) 수리검사 및 기타이유로 내압검사를 행해야 할 경우 수압검사를 원칙으로 한다.

### 2) 수압시험절차

- 압력계의 최대눈금은 시험압력의 1.5배에서 4배의 것을 사용한다.
- 내압시험 압력은 NAME PLATE(이름판)에 표기된 압력으로 한다.
- 승압은 내압시험 압력의 10%씩 서서히 승압시키고 30분 정도 유지함을 원칙으로 한다.
- 수압시험 유지시간이 시방서등의 별도 지시가 있는 경우는 이에 따른다.
- 검사 중 점검사항
  - \* 누설 유무
  - \* 변형 유무
  - \* 압력강하 여부
- 내압시험 중 이상 징후가 확인되면 즉시 강압시키고 수정하여 다시 시험을 하여야 한다.

### 2) 배수, 건조 및 방청처리

- (1) 배수 : \* 최상부의 공기 취입부와 하부의 배출구를 열어 부압이 발생하지 않도록 한다.  
\* 높이가 높고 박판인 용기는 내부에 진공이 걸려 파손되지 않도록 한다.
- (2) 건조 : 필요에 따라 사양에서 요구되는 경우 HOT DRY시키는 등으로 완전건조 시킨다.
- (3) 방청처리 : 기기의 방청기간이 길거나 사양에서 요구되면 방청제또는 N2 GAS를 투입시켜 부식이 되지 않도록 한다.

## 8. 안전과 환경

### 1) 안전

#### (1) 정기적인 내부점검

- \* 내부압력을 완전히 제거한다.
- \* 점검 작업 시 산소농도를 측정하여 이상이 없을시 임한다.
- \* 독성물질을 취급하는 압력용기의 점검 및 작업 시 반드시 방독면을 착용하여야 한다.
- \* 반드시 감시자를 배치하여야 한다.

#### (2) 계장부품 점검

- \* 안전밸브, 압력계 등 용기의 압력변화에 연관되는 계장부품들이 용기주변에 설치되었을 경우 설계조건에 맞게 작동이 되는지 수시로 점검하여야 한다.

### 2) 환경

- 부식 등으로 더 이상 사용하지 못할 용기는 폐기처분 하여야 한다.
- 폐기처리 시 독극물 사용기기와 일반용기로 구분한다.
- 폐기처리는 환경ISO에서 정한 폐기물처리 사항에 따른다.
- 그렇지 않은 경우에는 폐기물 처리 관리법에 따라 처리한다.

## 9. NAME PLATE(이름판)에 표시된 사항

- ① 제품명
- ② 형식명
- ③ 적용규격
- ④ 기기번호
- ⑤ 설계압력 : Mpa ( Kgf/cm<sup>2</sup> )
- ⑥ 설계온도 : °C
- ⑦ 수압시험 : Kgf/cm<sup>2</sup>
- ⑧ 비파괴 시험의 종류 및 구분 :RT,UT,MT,PT
- ⑨ 용접 후 열처리
- ⑩ 크기 : ID / L
- ⑪ 동체 및 경판 사용두께
- ⑫ 내용적 : 용량
- ⑬ 중량
- ⑭ 동체 및 경판의 재질
- ⑮ 제조년월
- ⑯ 제조자의 이름
- ⑰ 안전인증번호

## 10. 사용자 교육

- 기기의 관리자에게는 기기의 설계조건을 숙지토록 한다.

## 11. 책임

- 제조자의 책임은 제품의 상차도 까지를 원칙으로 한다.
- 사용자의 책임은 제품의 하차 도부터 함을 원칙으로 한다.
- 기타 자세한 책임 한계는 상호간에 체결한 계약사에 의한다.